



femtoControl

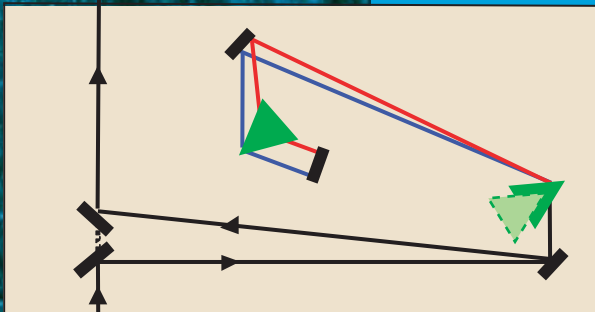
femtoControl is a compact motorized dispersion control unit for optimization of the duration of femtosecond laser pulses in the spectral range of Ti:Sapphire lasers¹⁾.

Femtosecond pulses which pass through any kind of optical material experience dispersion that can lead to temporal broadening of the ultrashort pulses with subsequent reduction in peak power. Thus, the experimental conditions are changed and degraded.

femtoControl compensates for material dispersion by applying the inverse amount of dispersion to the pulse. This is generated by a pair of prisms on motorized translation stages allowing continuous adjustment of the pulse width.

1) For other laser systems please contact A·P·E

- Ideal for Multi-Photon Microscopy
- Wide range of dispersion
- User-friendly adjustment and operation
- Zero-GVD function
- Automatic prism drive corresponding to stored GVD curves



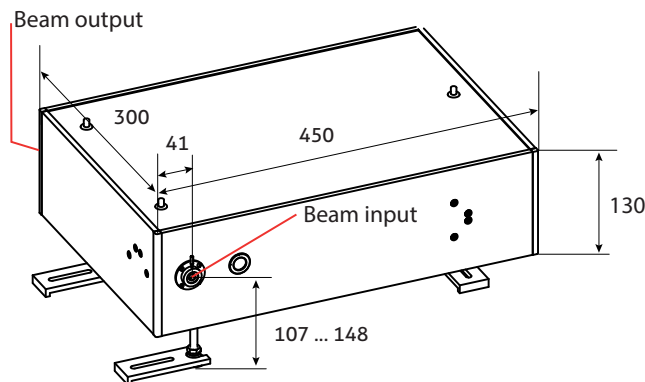
Wavelength range	680 ... 1080 nm	
Beam diameter	< 4 mm	
Input polarization	linear / horizontal (polarization rotator optional)	
Laser repetition rate	any	
Bandwidth (for complete compensation)	< 12.5 nm @ 800 nm (\approx 75 fs transform limited Gaussian pulse; higher bandwidth on request)	
Transmission	> 90 % @ 800 nm	
Dispersion range	min	max
	700 nm:	0 ... - 23000 fs ²
	800 nm:	0 ... - 13000 fs ²
	900 nm:	0 ... - 8000 fs ²
	(more dispersion on request)	
Additional internal beam path	1.67 m	

Option

- Dispersion management in combination with A·P·E autocorrelator Carpe

Dimensions (in mm)

Control electronics:	130 x 55 x 100 (W x H x D)
Optical unit:	see below



Application Example

A transform limited Gaussian input pulse of 100 fs at 800 nm sent into a multi-photon microscope experiences a dispersion of typically 13000 fs² from the glass of the microscope lens system. This broadens the pulse to 380 fs at the sample position and thus reduces the peak power by a factor of 3.8. By placing the *femtoControl* in front of the microscope the pre-compensation of the dispersion can be adjusted such that the pulse width of 100 fs is maintained after passing through the microscope.

At 700 nm a broadening of up to 645 fs, and at 900 nm of up to 245 fs can be compensated, respectively, for a 100 fs transform limited pulse.

Contact:
A·P·E Angewandte Physik & Elektronik GmbH
Plauener Str. 163-165 | Haus N | 13053 Berlin | Germany
T: +49 30 986 011-30 | E: sales@ape-berlin.de | www.ape-berlin.com
or
A·P·E America (for the Americas)
45401 Research Avenue | Suite 141 | Fremont, CA 94539 | USA
T: +1 (888) 690 3250 | E: sales@ape-america.com | www.ape-america.com

A·P·E follows a policy of continued product improvement.
Therefore, specifications are subject to change without notice.
© A·P·E | January 2014

脉动科技有限公司

中国代理商

北京总部 地址：海淀区中关村东路89号 恒兴大厦9C, 100190 电话：010-62565117 010-84413925 传真：010-62565117-11 邮箱：info@pulsepower.cn 官网：www.pulsepower.cn

上海办事处 021-32070812 西安办事处 029-87307077 深圳办事处 0755-27528760