

2 Micron Fiber Amplifier

AP-AMP1

With their compact size, high efficiency, low maintenance, and ease of use AdValue Photonics' 2 μ m fiber amplifiers provide many advantages over traditional bulk Holmium and Thulium solid state systems.

Applications:

- LIDAR
- Gas sensing
- Mid-IR generation
- Spectroscopy
- Test and measurement
- Research & development



Features:

- Wide wavelength range
- Adjustable power level
- Diffraction limited beam quality
- Turn-key system with no maintenance required

Optical Characteristics:

Parameter	Specification	
	AP-AMP1-2000	AP-AMP1-2100
Model	AP-AMP1-2000	AP-AMP1-2100
Gain wavelength range	1920-2020 nm	2050-2100 nm
Output power (nominal)	1, 2, 5 W (for input at 1940-1980 nm)	1 W (for input at 2070nm)
Power adjustment	10-100% max.	
Output power stability	\pm 5% (8 hours at 25 °C)	
Beam quality, M ²	< 1.1	
Output polarization	Random (option: polarization maintaining)	
Input fiber & Output delivery	Input: SMF-28 single mode fiber, 3 mm jacket, 1 m length, FC/APC connector Output: Optical fiber or fiber collimator depending on power specification and customer preference, fiber length 1 m.	

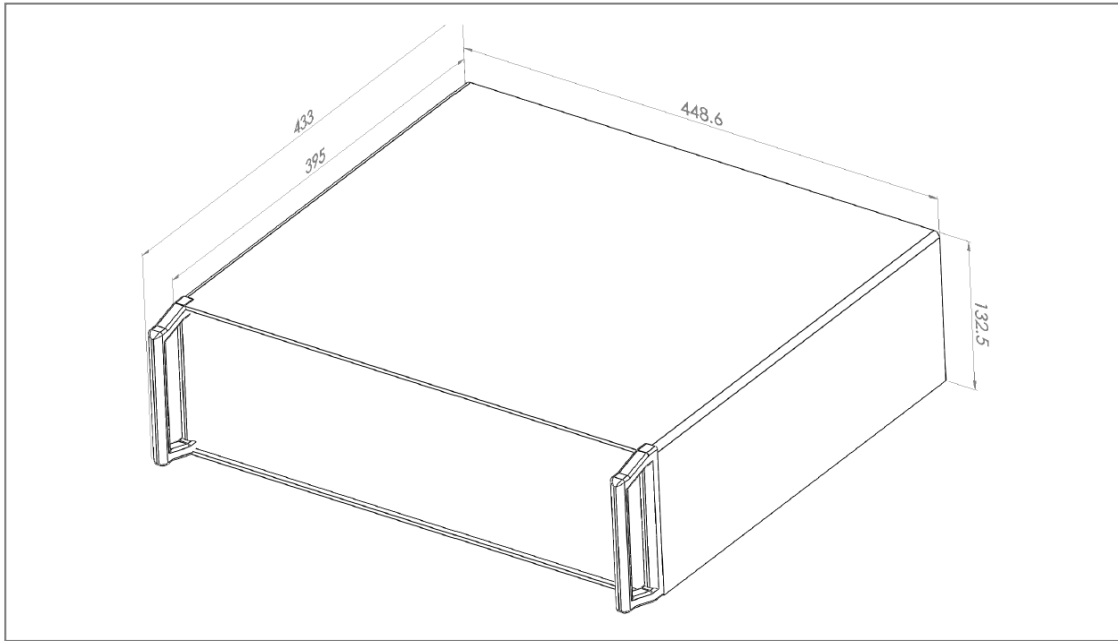
(Customization options available.)

Specifications subject to change without notice

General Characteristics:

Parameter	Specification
Operating temperature	10 to +35 °C
Storage temperature	-10 to +70 °C
Cooling	Forced air
Power requirement	AC 100~240V (50/60Hz)
Warm-up time	10 minutes
Package dimensions	448.6(W) x 433(D) x 132.5(H) mm

Mechanical Outline:



Ordering Information:

Part Number:	AP-AMP1	-	xxxx	-	xx	-	xx
			Standard Band: 2000 = 1940-1980 nm 2100 = 2050-2100 nm Custom Wavelength: xxxx = xxxx nm		Output Power: 01 = 1 W 02 = 2 W 05 = 5W		Polarization: RP = random polarization PM = polarization maintaining

For custom requests, please contact AdValue Photonics at 1-520-790-5468 or sales@advaluephotonics.com.



脉动科技有限公司
中国代理商

北京总部 地址：海淀区中关村东路89号 恒兴大厦9C，100190 电话：010-62565117 010-84413925 传真：010-62565117-11 邮箱：info@pulsepower.cn 官网：www.pulsepower.cn

上海办事处 021-32070812 西安办事处 029-87307077 深圳办事处 0755-27528760

AdValue Photonics Inc.
3440 E. Britannia Drive
Suite 190
Tucson, AZ 85706 USA

Specifications subject to change without notice