

2.1 Micron ASE Light Source

AP-ASE-2100

Amplified spontaneous emission (ASE), also called superluminescence, is the emission of fluorescence that is amplified along the gain medium. AdValue Photonics' near 2.1 micron ASE source exhibits broad bandwidth with excellent spatial coherence and low temporal coherence.

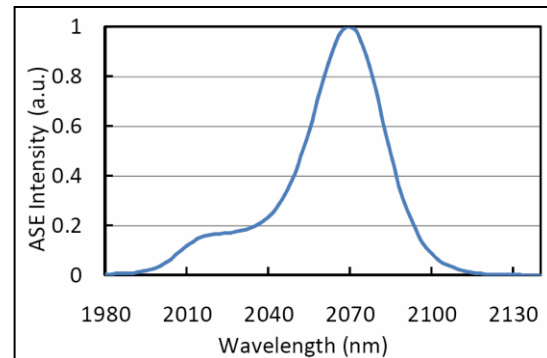
Applications:

- Optical component testing
- Gas analysis
- Biomedical analysis
- Spectroscopy
- Research & development



Features:

- Broadest bandwidth
- Mid IR wavelength region
- High output power
- Diffraction limited beam quality
- Turn-key system with no maintenance required



Optical Characteristics:

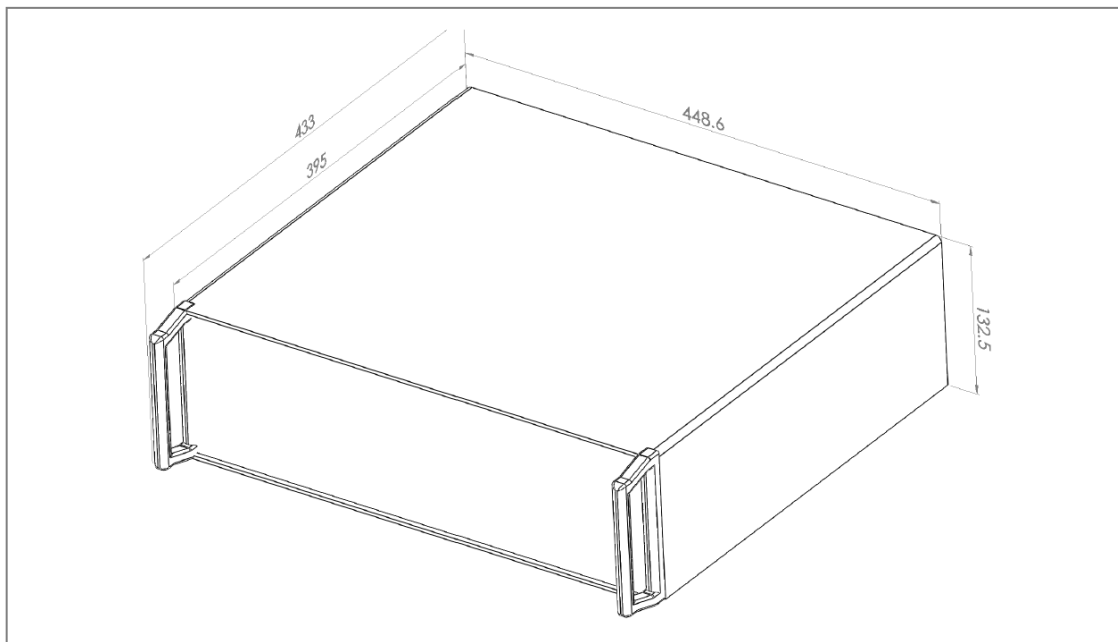
| Parameter | Specification |
|------------------------------|---|
| Center wavelength | 2.07±0.02 μm |
| Operation mode | CW |
| Output power (nominal) | 10 mW |
| Bandwidth (-20dB) | >100 nm |
| Output power stability | ±5% (at 25 °C) |
| Beam quality, M ² | < 1.1 |
| Output polarization | Random |
| Output fiber and connector | SMF-28 single mode fiber, 3 mm jacket, 1 m length FC/APC connector |

Specifications subject to change without notice

General Characteristics:

| Parameter | Specification |
|-----------------------|---------------------------------|
| Operating temperature | 10 to +35 °C |
| Storage temperature | -10 to +65 °C |
| Cooling | Forced air |
| Power requirement | AC 100~240 V (50/60Hz) |
| Warm-up time | 10 minutes |
| Package dimensions | 448.6(W) x 433(D) x 132.5(H) mm |

Mechanical Outline:



Ordering Information:

Part Number: AP-ASE - 2100 - mxxx - (Polarization)

Output Power:
m010 = 10 mW

Polarization:
(no spec) = random polarization

For custom requests, please contact us for more information at 1-520-790-5468 or sales@advaluephotonics.com.



脉动科技有限公司

中国代理商

北京总部 地址：海淀区中关村东路89号 恒兴大厦9C，100190 电话：010-62565117 010-84413925 传真：010-62565117-11 邮箱：info@pulsepower.cn 官网：www.pulsepower.cn

上海办事处 021-32070812 西安办事处 029-87307077 深圳办事处 0755-27528760

AdValue Photonics Inc.
3440 E. Britannia Drive
Suite 190
Tucson, AZ 85706 USA

Specifications subject to change without notice