

## Pulsed Laser Control Unit AP-CU-QS1

The Pulsed Laser Control Unit provides the power supply and control signals to AdValue Photonics' pulsed fiber laser modules, making operating the pulsed fiber laser modules as turn-key systems. Users are able to control the laser modules through the user interface on the front and back panels of the Control Unit.

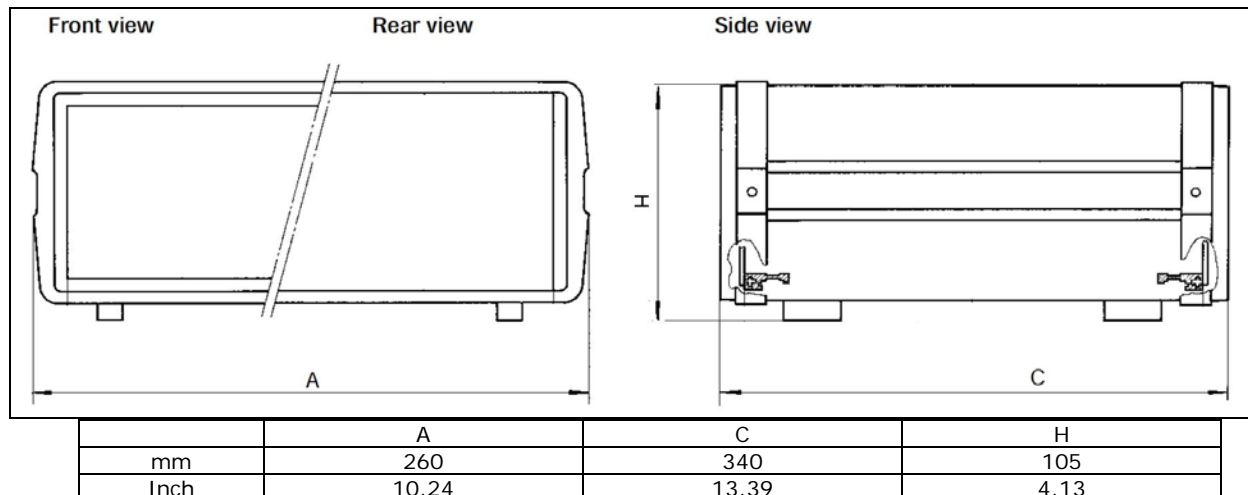


### General Characteristics:

Parameter	Specification
Power requirement	AC 100~240 V (50/60Hz)
Laser Output Power ON/OFF and Modulation Control	User to provide 5V TTL signal through a BNC connector on the back panel for laser ON/OFF and output power modulation. 5V TTL signal rise edge triggering ON and fall edge triggering OFF, max. modulation frequency 500 Hz. (A function generator is recommended to provide the 5V TTL signal.)
Laser output power adjustment	10-100% max. power adjustment using a manual knob on the front panel.
Laser power setting reference	Power setting reference by voltage reading across two terminals on the back panel.

(Customization options available.)

### Mechanical Outline:



### 脉动科技有限公司

中国代理商

北京总部 地址：海淀区中关村东路89号 恒兴大厦9C, 100190  
电话：010-62565117 010-84413925

传真：010-62565117-11  
邮箱：info@pulsepower.cn  
官网：www.pulsepower.cn

上海办事处 021-32070812  
西安办事处 029-87307077  
深圳办事处 0755-27528760

Specifications subject to change without notice