

2 Micron CW Fiber Laser

AP-CW1

With their compact size, high efficiency, low maintenance, and ease of operation, AdValue Photonics' 2 μ m fiber lasers provide many advantages over traditional bulk Holmium and Thulium solid state lasers.

Applications:

- LIDAR
- Gas sensing
- Mid-IR generation
- Spectroscopy
- Test and measurement
- Research & development



Features:

- Customizable operating wavelength
- High output power
- Diffraction limited beam quality
- Turn-key system with no maintenance required

Optical Characteristics:

Parameter	Specification
Operation mode	CW
Operating wavelength	1950 nm (Option: customized wavelength 1900-2100 nm)
Wavelength accuracy	± 5 nm (Option: customized accuracy)
Output power (nominal)	1, 2, 5 W (not for all options)
Power adjustment	10-100% max.
Spectral linewidth	< 1 nm
Beam quality, M^2	< 1.1
Output polarization	Random (Option: linearly polarized)
Output delivery	Optical fiber or fiber collimator depending on power specification and customer preference, fiber length 1m.

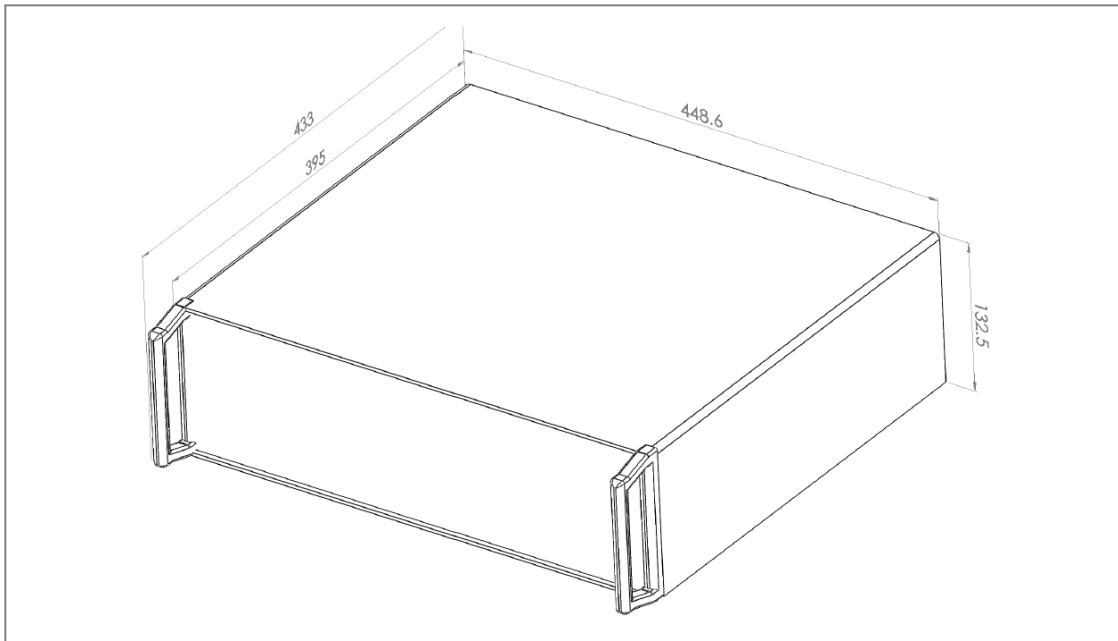
(Customization options available.)

Specifications subject to change without notice

General Characteristics:

Parameter	Specification
Operating temperature	10 to +35 °C
Storage temperature	-10 to +70 °C
Cooling	Forced air
Power requirement	AC 100~240 V (50/60Hz)
Warm-up time	10 minutes
Package dimensions	448.6(W) x 433(D) x 132.5(H) mm

Mechanical Outline:



Ordering Information:

Part Number:	AP-CW1	-	xxxx	-	xx	-	xx
			Standard Wavelength: 1950 = 1950 nm Custom Wavelength: xxxx = xxxx nm		Output Power: 01 = 1 W 02 = 2 W 05 = 5 W 10 = 10 W		Polarization: RP = random polarization LP = linear polarization

For custom requests, please contact AdValue Photonics at 1-520-790-5468 or sales@advaluephotonics.com.



脉动科技有限公司
中国代理商

北京总部 地址: 海淀区中关村东路89号 恒兴大厦9C, 100190 电话: 010-62565117 010-84413925 传真: 010-62565117-11 邮箱: info@pulsepower.cn 官网: www.pulsepower.cn

上海办事处 021-32070812 西安办事处 029-87307077 深圳办事处 0755-27528760

AdValue Photonics Inc.
3440 E. Britannia Drive
Suite 190
Tucson, AZ 85706 USA

Specifications subject to change without notice