

## 2 Micron Mode-Locked Fiber Laser AP-ML

This world's first 2 $\mu$ m mode-locked fiber laser offers sub-picosecond pulse width and high beam intensity, suitable as a seed laser and providing a new tool to research and industry applications.

With their compact size, high efficiency, low maintenance, and ease of operation, AdValue Photonics' 2 $\mu$ m fiber lasers provide many advantages over traditional bulk Holmium and Thulium solid state lasers.

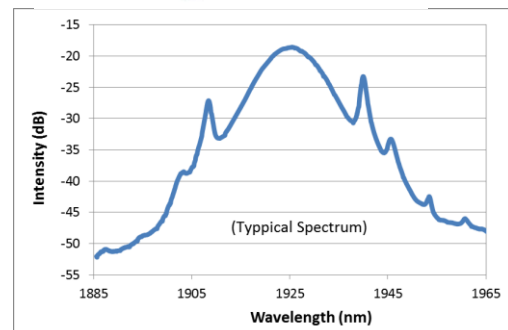
### Applications:

- Mid-IR generation
- Nonlinear optics studies
- Spectroscopy
- Research & development



### Features:

- Short pulse-width
- Broad spectral bandwidth
- Diffraction limited beam quality
- Turn-key system with no maintenance required



### Optical Characteristics:

Parameter	Specification	
	950 fs Option	350 fs Option
Operating wavelength	1.95 $\pm$ 0.05 $\mu$ m	1.95 $\pm$ 0.05 $\mu$ m
Average power (nominal)	5 mW	3 mW
Pulse width	< 950 femtoseconds	< 350 femtoseconds
Pulse repetition rate	20-40 MHz (non-adjustable factory set)	30-50 MHz (non-adjustable factory set)
Spectral bandwidth	> 6 nm	> 18 nm
Beam quality, M <sup>2</sup>	< 1.1	
Output polarization	Random	
Output fiber	SMF-28 single mode fiber, 3 mm jacket, 1 m length, no connector	

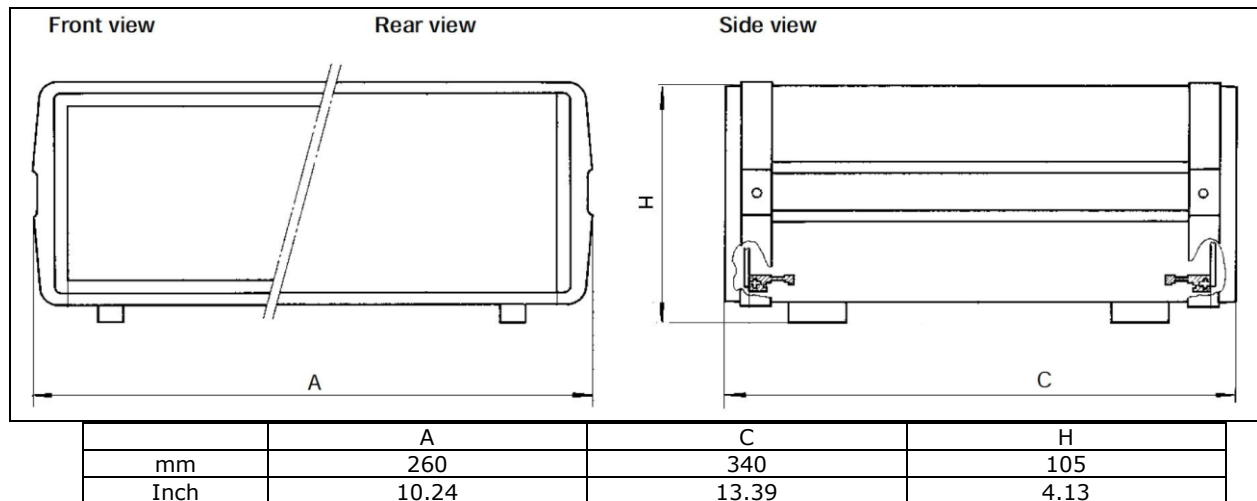
(Customization options available.)

Specifications subject to change without notice

## General Characteristics:

Parameter	Specification
Operating temperature	+18 to +30 °C
Storage temperature	-10 to +70 °C
Cooling	Forced air
Power requirement	AC 100~240 V (50/60Hz)
Warm-up time	10 minutes
Package dimensions	260(W) x 340(D) x 105(H) mm

## Mechanical Outline:



## Ordering Information:

Part Number:	AP-ML	-	1950	-	mxxx	-	RP	-	xxx
			Operating Wavelength: 1950 = 1.95±0.05 μm		Output Power: m003 = 5 mW m005 = 3 mW		Polarization: RP = random polarization		Pulse Option: 950 = 950 fs Option 350 = 350 fs Option

For custom requests, please contact AdValue Photonics at 1-520-790-5468 or [sales@advaluephotonics.com](mailto:sales@advaluephotonics.com).



### 脉动科技有限公司

中国代理商

北京总部 地址: 海淀区中关村东路89号 恒兴大厦9C, 100190  
 电话: 010-62565117 010-84413925  
 传真: 010-62565117-11  
 邮箱: info@pulsepower.cn  
 官网: www.pulsepower.cn

上海办事处 021-32070812  
 西安办事处 029-87307077  
 深圳办事处 0755-27528760

AdValue Photonics Inc.  
 3440 E. Britannia Drive  
 Suite 190  
 Tucson, AZ 85706 USA

Specifications subject to change without notice