

## 2 Micron Mode-Locked Fiber Laser New

### AP-ML2

This ultrafast fiber laser at the wavelength of 2  $\mu\text{m}$  offers high pulse energy in the femtosecond regime, providing new capabilities and enabling new discoveries for the scientists and engineers in laser related research and industry applications.

With their compact size, high efficiency, low maintenance, and ease of operation, AdValue Photonics' 2 $\mu\text{m}$  fiber lasers provide many advantages over traditional bulk Holmium and Thulium solid state lasers.

#### Applications:

- Nonlinear optics studies
- Mid-IR generation
- Spectroscopy
- Micromachining



#### Features:

- High pulse energy
- High peak power
- Near diffraction limited beam quality
- Turn-key system with no maintenance required

#### Optical Characteristics:

Parameter	Specification
Operating wavelength	1.95 $\pm$ 0.05 $\mu\text{m}$
Pulse width	800 fs (with external pulse compressor)
Max. pulse energy	10 $\mu\text{J}$
Pulse repetition rate	100-500 kHz (non-adjustable, factory selectable)
Max. average power	3 W
Output polarization	Random
Beam quality, $M^2$	< 1.3
Output delivery	Free-space collimated beam $\sim$ 3 mm diameter (beam expansion available)

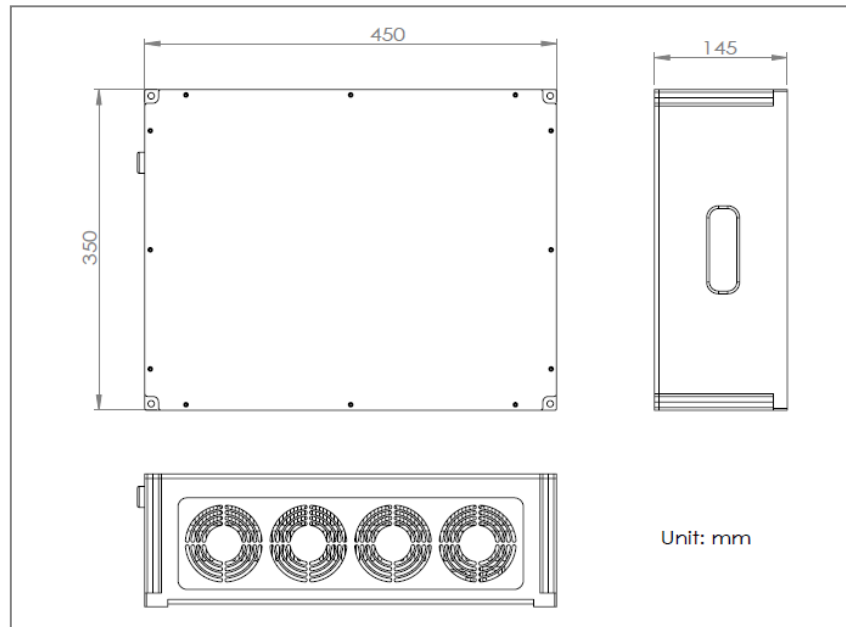
(Customization options available.)

*Specifications subject to change without notice*

## General Characteristics:

Parameter	Specification
Operating temperature	+18 to +30 °C
Storage temperature	-10 to +70 °C
Cooling	Forced air
Power requirement	AC 100~240 V (50/60Hz)
Warm-up time	10 minutes
Package dimensions	450(W) x 350(D) x 145(H) mm (optical module only, not including a separate control unit)

## Mechanical Outline:



## Ordering Information:

Part Number:	AP-ML2	-	XXXX	-	XXX	-	XXX	-	XX
			Operating Wavelength: 1950 = 1.95±0.05 μm		Pulse Energy: 010 = 10 μJ		Rep. Rate: 100 = 100 kHz 500 = 500 kHz		Polarization: RP = random polarization

(For custom requests, please contact AdValue Photonics at 1-520-790-5468 or [sales@advaluephotonics.com](mailto:sales@advaluephotonics.com).)



**脉动科技有限公司**  
中国代理商

北京总部 地址：海淀区中关村东路89号 恒兴大厦9C，100190 电话：010-62565117 010-84413925 传真：010-62565117-11 邮箱：info@pulsepower.cn 官网：www.pulsepower.cn

上海办事处 021-32070812 西安办事处 029-87307077 深圳办事处 0755-27528760

AdValue Photonics Inc.  
3440 E. Britannia Drive  
Suite 190  
Tucson, AZ 85706 USA

Specifications subject to change without notice