

Broadband Mid-IR Light Source AP-SC-MIR

The AP-SC-MIR is a turn-key, fiber-based supercontinuum light source covering the mid-IR spectrum from about 1850 nm to 2500 nm.

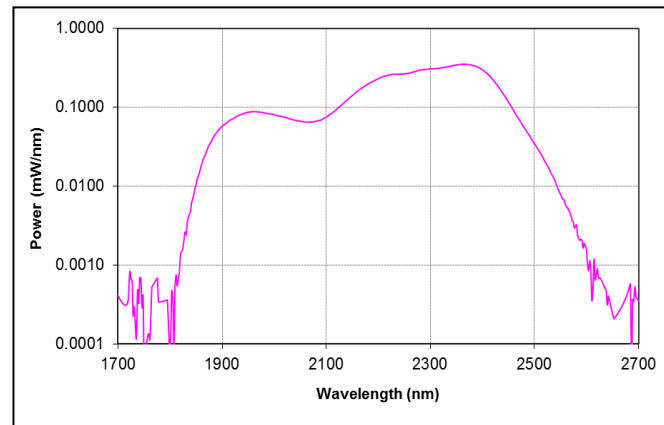
Applications:

- Optical component testing
- Gas analysis
- Biomedical analysis
- Spectroscopy
- Research & development



Features:

- Very broad bandwidth
- Mid-IR wavelength region
- High output power
- Diffraction limited beam quality
- Turn-key system with no maintenance required



Optical Characteristics:

Parameter	Specification
10dB bandwidth	>500 nm (~ 1.9 to 2.4 μm)
Average output power (nominal)	100 mW
Output power stability	$\pm 5\%$ (at 25 $^{\circ}\text{C}$)
Operation mode	10 kHz
Beam quality, M^2	< 1.1
Output polarization	Random
Output fiber and connector	SMF-28 single mode fiber, 1 m length, 3 mm jacket, FC/APC connector

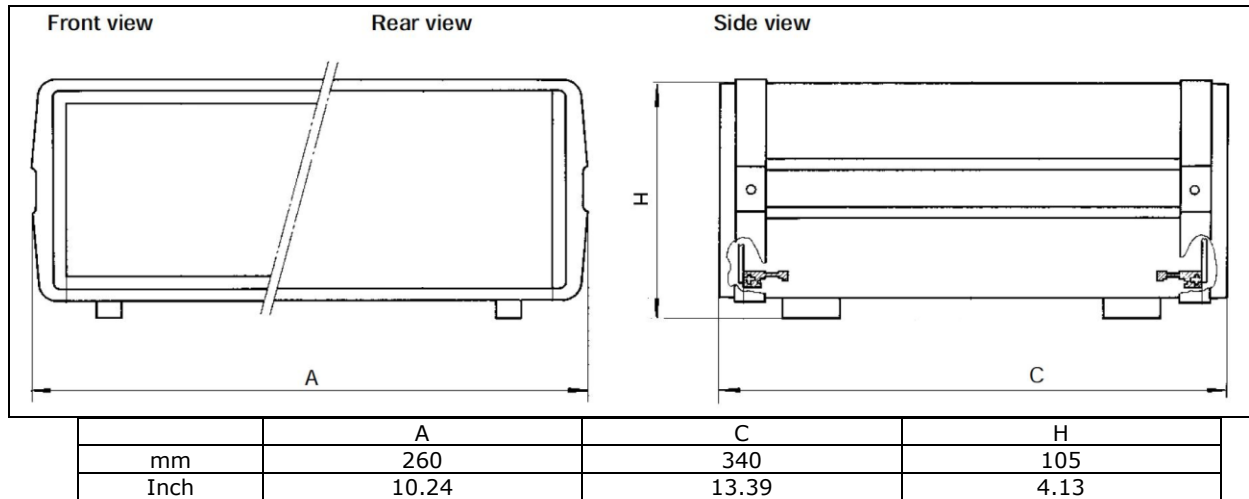
(Customization options available.)

Specifications subject to change without notice

General Characteristics:

Parameter	Specification
Operating temperature	5 to +35 °C
Storage temperature	-10 to +65 °C
Cooling	Forced air
Power requirement	AC 100~240 V (50/60Hz)
Warm-up time	10 minutes
Package dimensions	105(H) x 178(W) x 340(D) mm

Mechanical Outline:



Ordering Information:

Part Number:	AP-SC-MIR	-	2000	-	mxxx
--------------	-----------	---	------	---	------

Output Power:
m100 = 100 mW

For custom requests, please contact us for more information at 1-520-790-5468 or sales@advaluephotonics.com.



脉动科技有限公司

中国代理商

北京总部 地址：海淀区中关村东路89号 恒兴大厦9C，100190 电话：010-62565117 010-84413925 传真：010-62565117-11 邮箱：info@pulsepower.cn 官网：www.pulsepower.cn
上海办事处 西安办事处 深圳办事处
021-32070812 029-87307077 0755-27528760

AdValue Photonics Inc.
3440 E. Britannia Drive
Suite 190
Tucson, AZ 85706 USA

Specifications subject to change without notice