

## 2 Micron Single-Frequency Fiber Laser AP-SF1

With their compact size, high efficiency, low maintenance, and ease of operation AdValue Photonics' 2 $\mu$ m fiber lasers provide many advantages over traditional bulk Holmium and Thulium solid state lasers.

### Applications:

- LIDAR
- Gas sensing
- Frequency conversion
- Research & development



### Features:

- Customizable operating wavelength
- Single longitudinal mode
- Very narrow spectral linewidth
- Single mode fiber delivery
- Turn-key system with no maintenance required

### Optical Characteristics:

Parameter	Specification
Operation mode	CW
Operating wavelength	1950 nm (Option: customized wavelength 1900-2100 nm)
Wavelength accuracy	$\pm 1$ nm (Option: customized accuracy)
Max. output power	5 W
Min. spectral linewidth	50 kHz
Frequency stability	+/- 100 MHz per minute
Beam quality, $M^2$	< 1.3
Output polarization	Random (Option: linearly polarized)
Fast tuning range	200 MHz, $\sim 20$ MHz/V with PZT (Option upon request)
Thermal tuning range	0.3 nm (Option upon request)
Output delivery	Optical fiber or fiber collimator depending on power specification and customer preference, fiber length 1 m.

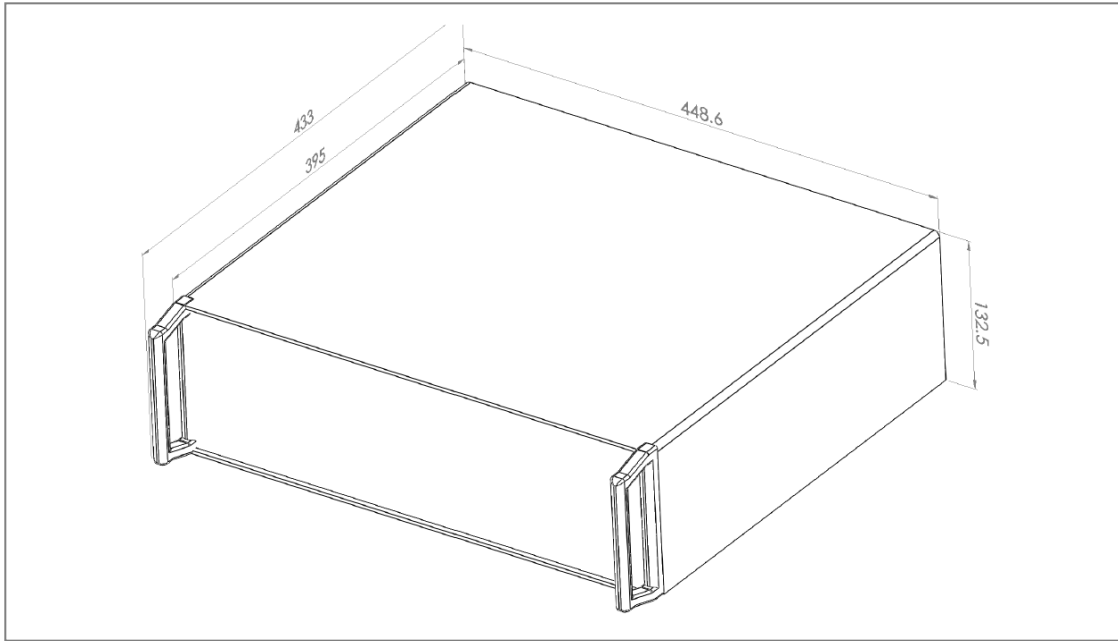
(Customization options available.)

*Specifications subject to change without notice*

## General Characteristics:

Parameter	Specification
Operating temperature	20 to +35 °C
Storage temperature	-10 to +70 °C
Cooling	Forced air
Power requirement	AC 100~240 V (50/60Hz)
Warm-up time	10 minutes
Package dimensions	448.6(W) x 433(D) x 132.5(H) mm

## Mechanical Outline:



## Ordering Information:

Part Number:	AP-SF1	-	xxxx	-	xx	-	xx
			Standard Wavelength: 1950 = 1950 nm Custom Wavelength: xxxx = xxxx nm		Output Power: 01 = 1 W 05 = 5 W		Polarization: RP = random polarization LP = linear polarization

For custom requests, please contact AdValue Photonics at 1-520-790-5468 or [sales@advaluephotonics.com](mailto:sales@advaluephotonics.com).



AdValue Photonics Inc.  
3440 E. Britannia Drive  
Suite 190  
Tucson, AZ 85706 USA

*Specifications subject to change without notice*