



1- Micron ASE Module

PRODUCT DATA SHEET

NP Photonics' 1-Micron ASE Module is a high performance, high power, low cost and reliable incoherent light source for optical sensing, testing, and optical coherence tomography.

NP Photonics' 1-Micron ASE Module is a low cost, high performance ASE source. This high power source produces a broadband output spectrum of Amplified Spontaneous Emission (ASE) ranging from 1000 to 1065 nm. The ASE technology, developed at NP Photonics, offers high levels of power, spectral and temperature stability for the most demanding ASE applications.

The 1-Micron ASE Module is a member of our ASE product family that covers a variety of wavelength ranges, spectral shapes, and output powers. All are available in convenient form factors including: OEM Module and Benchtop unit.

FEATURES

- > 13 dBm (> 20 mW)
- High power
- Wide bandwidth (> 65 nm)
- Integrated pump laser
- Microprocessor control
- Monitoring electronics
- Customizable

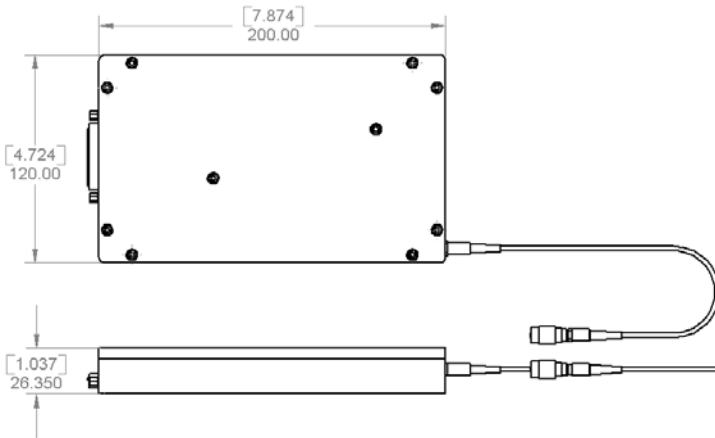
APPLICATIONS

- Bio-medical imaging (OCT)
- Sensing
- Passive components testing
- Fiber optic gyroscope
- Spectroscopy

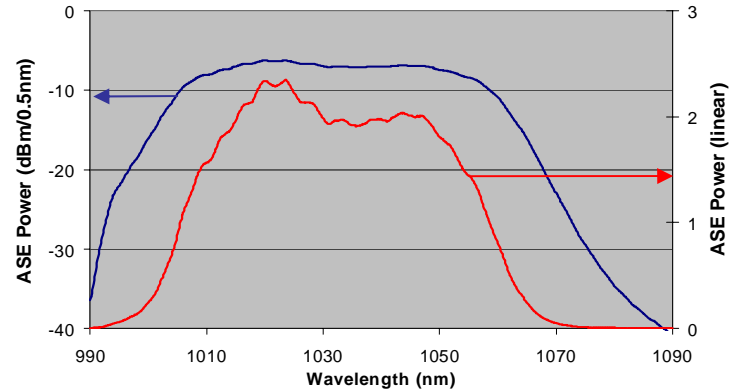
PRODUCT SPECIFICATIONS

Parameter	Low Power	High Power	Extended Bandwidth
Wavelength range @ 3 dB	1000 - 1050 nm	1005 - 1055 nm	1005 - 1075nm
Wavelength range @ 10 dB	995 - 1060 nm	1000 - 1065 nm	1000-1090
Output Power (dBm)	> 7 dBm	> 13 dBm	> 13 dBm
Degree of Polarization	< 5%	< 5%	< 5%
Package Dimensions	200 x 72 x 16 mm	200 x 120 x 26.35 mm	200 x 120 x 26.35 mm

Mechanical Outline:



Typical Spectra:



Ordering Information:

- 1-M-ASE-LP-M (Low power 1 micron ASE module)
- 1-M-ASE-HP-M (High power 1 micron ASE module)
- 1-M-ASE-HPE-M (Extended Bandwidth 1 micron ASE module)

NP Photonics 1-Micron ASE Modules are protected by a 12-month warranty. All components and assemblies are unconditionally warranted to be free of defects in workmanship and materials for the warranty period, beginning from the date of shipment. This warranty is in lieu of all other warranties, expressed or implied, and does not cover incidental or consequential loss. This warranty does not apply to devices damaged due to operating conditions outside of the specified parameters. Modified warranties for OEM customers are available.

9030 S. Rita Road, Suite 120
 Tucson, AZ 85747
 Telephone: + 1-520-799-7400
 Fax: + 1-520-799-7403
www.npphotonics.com
 e-mail: info@npphotonics.com



脉动科技有限公司
 中国代理商

北京总部 地址: 海淀区中关村东路89号 恒兴大厦9C, 100190 电话: 010-62565117 010-84413925 传真: 010-62565117-11 邮箱: info@pulsepower.cn 官网: www.pulsepower.cn

上海办事处 021-32070812 西安办事处 029-87307077 深圳办事处 0755-27528760

Specifications subject to change without notice