



C- Band ASE Module

PRODUCT DATA SHEET

NP Photonics' C-Band ASE Module is a high performance, high power, low cost and reliable incoherent light source for sensing and testing.

NP Photonics' C-Band ASE Module is a low cost, high performance ASE source. This high power source produces a broadband output spectrum of Amplified Spontaneous Emission (ASE) ranging from 1525 to 1565 nm. The ASE technology, developed at NP Photonics, offers high levels of power, spectral, and temperature stability for the most demanding ASE applications.

The C-Band ASE Module is a member of our ASE product family that covers a variety of wavelength ranges, spectral shapes, and output powers. All are available in convenient form factors including: OEM Module and Benchtop.

FEATURES

- Full C-Band operation
- 7, 10, 13, 17 or 19 dBm
- Wide bandwidth
- Integrated pump laser
- Microprocessor control
- Customizable

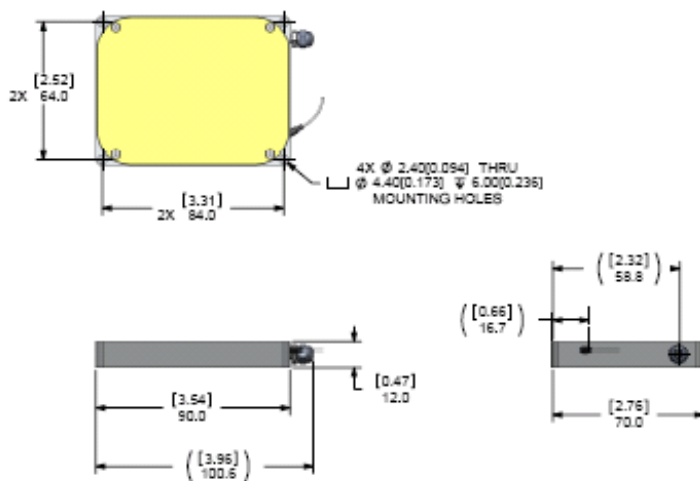
APPLICATIONS

- Sensing
- Passive components testing
- Bio-medical imaging source
- Fiber Optic Gyroscope
- Spectroscopy

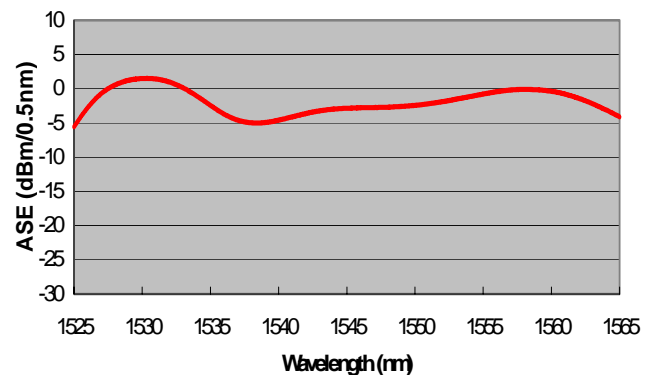
PRODUCT SPECIFICATIONS

Parameter	Value
Wavelength Range	1525-1565 nm
Output Power	7, 10, 13, 17 or 19 dBm
Spectral Power Variation (dB)	< ± 5
Output Power Stability (dB) (1hr) at fixed ° C	< 0.04dB
Output Power Stability (dB) over 0-50 ° C	± 0.2
Output Polarization (Degree of Polarization)	< 5%
Power Consumption	<8.25 W, < 3W Typical
Supply Voltage	+3.3V ±5%
Supply Voltage Noise Level	<50mW pk-pk
Supply Current	2.5A Max; 1A Typical (1)
Power Supply Capacitive Load	250uF Decoupling Inside Unit
Optical Bandwidth @ 10 dB point	> 40 nm
Package Dimension	90 x 70 x 12 mm

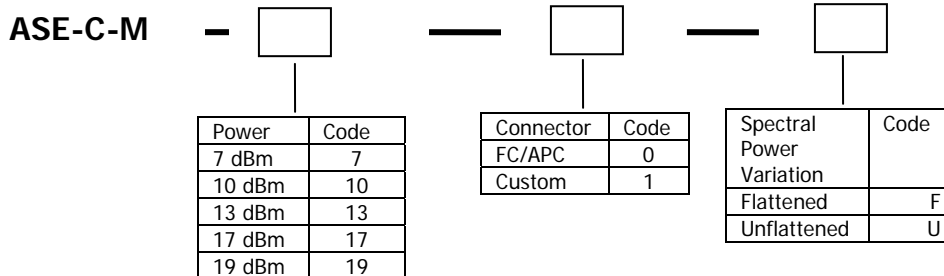
Mechanical Outline:



Typical Spectra:



Ordering Example: ASE-C-M-10-0-U = C-Band ASE with 10 dBm power output, FC/APC connector, unflattened Module.



NP Photonics C Band ASE Modules are protected by a 12-month warranty. All components and assemblies are unconditionally warranted to be free of defects in workmanship and materials for the warranty period, beginning from the date of shipment. This warranty is in lieu of all other warranties, expressed or implied, and does not cover incidental or consequential loss. This warranty does not apply to devices damaged due to operating conditions outside of the specified parameters. Modified warranties for OEM customers are available.

9030 S. Rita Road, Suite 120
Tucson, AZ 85747
Telephone: + 1-520-799-7400
Fax: + 1-520-799-7403
www.npphotonics.com
E-mail: info@npphotonics.com



脉动科技有限公司

中国代理商

北京总部 地址：海淀区中关村东路89号 恒兴大厦9C，100190 电话：010-62565117 010-84413925 传真：010-62565117-11 邮箱：info@pulsepower.cn 官网：www.pulsepower.cn

上海办事处 021-32070812 西安办事处 029-87307077 深圳办事处 0755-27528760