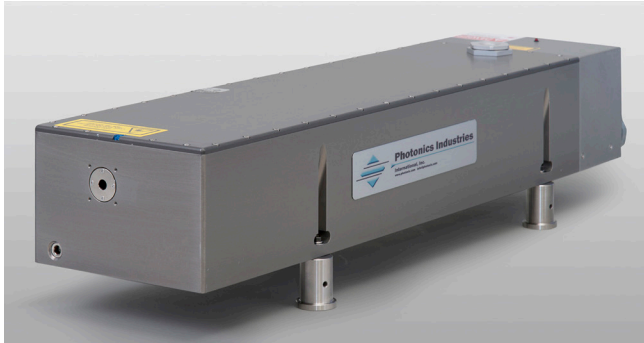


# DM-532 Series

## High Power Green Nd:YAG Lasers

### DM Nd:YAG

---



#### Features

- Three standard models: 60 W, 100 W and 150 W
- Optional Dual head models: 120 W, 200 W and 300 W
- Simple, compact, rugged, monolithic platform
- Pulse rates from 1 to 30kHz
- Superior pulse to pulse stability
- Uniform beam profile
- Double pulse option available for all DM lasers
- Diode lifetime of >10,000 hours

Owing to its intra-cavity patented technologies, the DM Series Nd:YAG diode pumped laser has the simplest, most efficient design in a monolithic platform, while producing high power at 532 nm (up to 150W from single head and up to 300W from dual head) at kHz repetition rates.

In addition to its simple, efficient design, the outstanding thermal management allows the user to change repetition rate from 1 to 30kHz as desired. It is the best choice for high repetition rate pumping Ti:sapphire laser amplifiers and Particle Image Velocimetry (PIV) applications. The single head DM lasers offer a dual pulse feature and have proprietary driving electronics to control pulse separation and delay. In addition, the laser can be configured in the dual head option for sub  $\mu$ s pulse separations and even higher output powers.

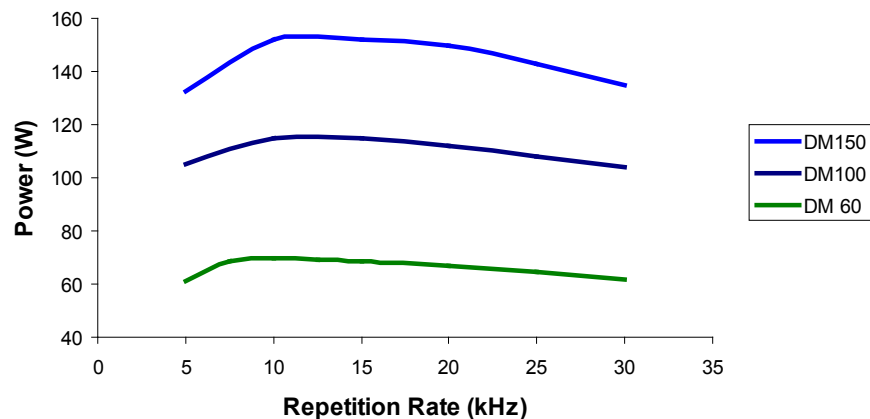


# DM Nd:YAG System Specifications

Model	DM60-532	DM100-532	DM150-532
Wavelength (nm)	532		
Average Power (W) @ 10kHz	60	100	150
Pulse Energy (mJ) @ 10kHz	6	10	15
Pulse Width (ns) @ 10 kHz (nominal)	~200	~190	~100
Repetition Rate	1 to 30 kHz		
Pulse to Pulse Instability	<1% rms		
Polarization Ratio	Horizontal; 100:1		
Beam Diameter (nominal)	2 mm	3 mm	
Beam Divergence	<10 mrad		
Beam Circularity	>85%		
M <sup>2</sup>	<15	15 to 20	
Beam Pointing Stability	<25 urad		
Interface	RS 232/External TTL Triggering/GUI Software Included		
Warm-up Time	<5 min from standby <20 min from cold start		
Operating Voltage	100-240V	200-240V	
Power Consumption (excluding chiller)	1.7 kW	1.8 kW	
Dimensions: (W x L x H)	Laser Head Controller	6.5" x 26" x 4.25" 19" x 13.5" x 5.25"	
Weight:	Laser Head Controller	47.5 lbs 20 lbs	
Umbilical Length	3 m		
Ambient Temperature	15 to 30 °C		

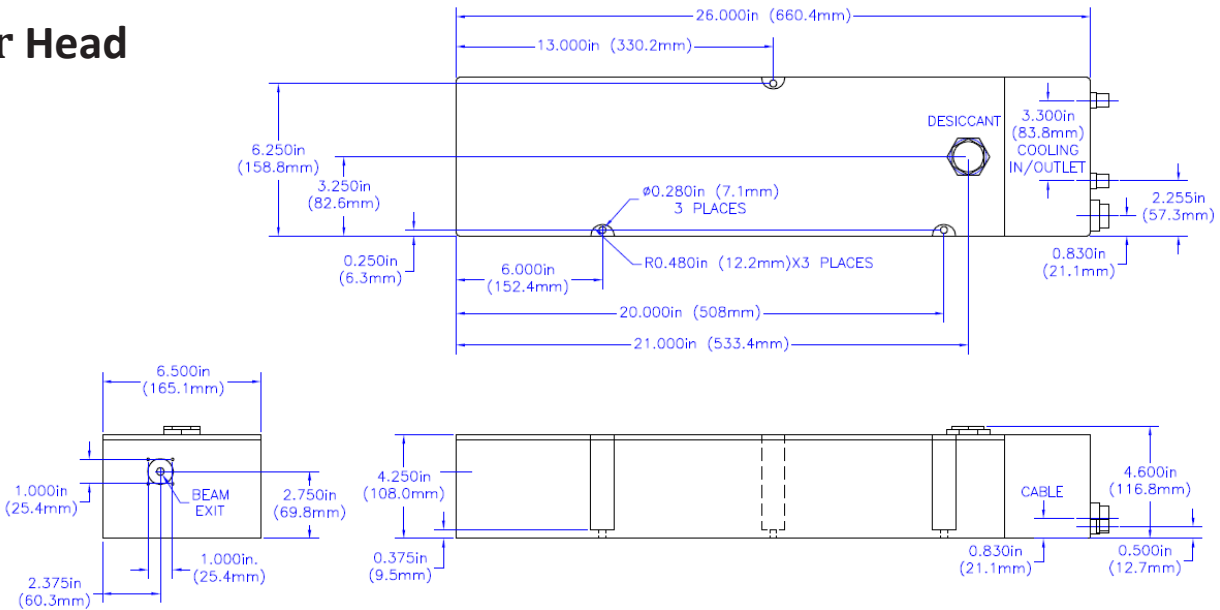
Each of these 3 models can be configured as a Dual Head. Please see DM Dual Head Brochure.

## Performance Curve

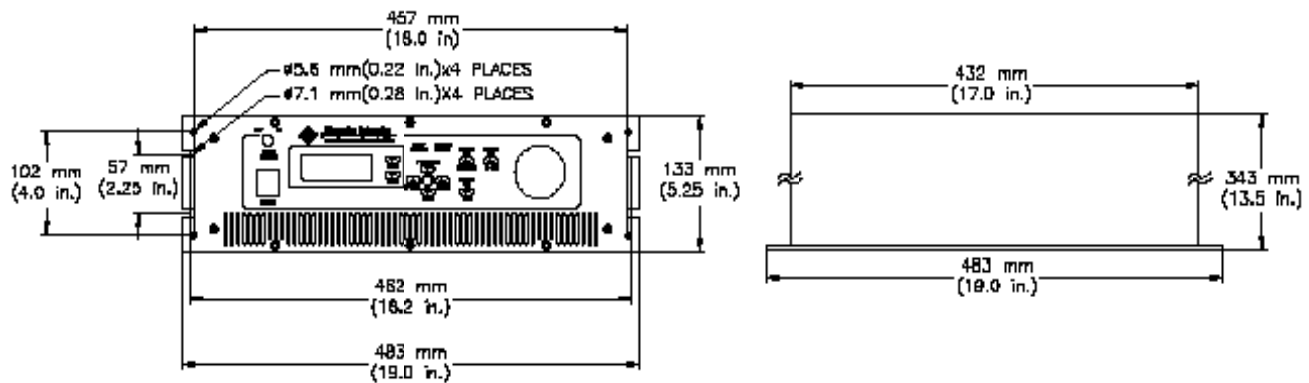


# Dimensional Drawings

## Laser Head



## Controller



## 脉动科技有限公司

中国代理商

北京总部 地址：海淀区中关村东路89号 恒兴大厦9C，100190  
 电话：010-62565117 010-84413925  
 传真：010-62565117-11 邮箱：info@pulsepower.cn  
 官网：www.pulsepower.cn

上海办事处 021-32070812  
 西安办事处 029-87307077  
 深圳办事处 0755-27528760

### US Main Office

390 Central Ave,  
 Bohemia, NY, 11716  
 Phone: 631-218-2240  
 Fax: 631-218-2275  
 E-Mail: info@photonix.com  
 Website: www.Photonix.com

### Taiwan Office

18F-3, No.77, Sec.1, Xintai 5th Rd.  
 Xizhi Dist., New Taipei City 221, Taiwan  
 Tel : 886-2-26983620  
 Fax: 886-2-26983630  
 Contact: Brett Chiang  
 E-mail: bchiang@photonix.com



### Korea Office

703 Sogong Bldg, 352-5 Gugal-Dong  
 Giheung-gu, Yongin City  
 Gyeonggi-Do, 446-569 Korea  
 Tel: +82-31-284-9520  
 Fax: +82-31-284-9521  
 Contact: Sang-Moon Kim  
 Email: kimsm@photonix.com

### Japan Office

Rokusan Bldg. 9F, Funamachi 7  
 Shinjuku-ku, Tokyo 160-0006, Japan  
 Tel: +81 03-6423-1805  
 Fax: +81 03-6423-1806  
 Email: kseita@photonix.co.jp

### China Office

Room 1401, B8  
 208 XingHai Street, Suzhou Industrial Park  
 Suzhou 215021, P. R. China  
 Tel: +86-512-6763 5761  
 Fax: +86-512-6763 5762  
 Email: china@photonix.com  
 Website: http://www.photonix.com.cn/

Due to Photronics Industries' commitment to continuous product improvement, specifications and drawings are subject to change without notice.

Photronics Industries conforms to provisions of US 21 CFR 1040.10 & 1040.11 and is made under one or more US patents listed below:  
 7,346,092; 7,082,149; 7,079,557; 6,999,483; 6,980,574; 6,961,355; 6,842,293; 6,762,405; 6,690,692; 6,587,487; 6,584,487; 6,366,596;  
 6,327,281; 6,356,578; 6,246,707; 6,229,839; 6,108,356; 6,061,370; 6,028,620; 5,936,938; 5,898,717 and Pending Patents

Copyright © 2013 by Photronics Industries International, Inc.

