

PS Lasers

Diode Pumped Picosecond Laser



Features

- Closed loop chilled up to 50W
- Small form factor, compact laser head
- Industrial grade
- Diode pumped technology
- Excellent beam quality (M2 typically <1.3)
- Wide range of powers and harmonic options available:
 - IR 1064nm: up to 65W
 - Green 532nm: up to 35W
 - UV 355nm: Please contact factory
 - Deep UV 266nm: Please contact factory

Applications

- Solar Cell Processing
- Wafer inspection
- Microstereolithography
- Flow cytometry
- Pump laser for dye lasers
- Pico-Second seeder for regenerative amplifier
- Printing



Photonics Industries
International, Inc.

The Pioneer of Intra-Cavity Solid-State Harmonic Lasers

PS System Specifications

Wavelength (nm)	1064nm			
Model Number	PS-1064-10	PS-1064-25	PS-1064-45	PS-1064-65
Average Power	10 W	25W	45W	65W
Polarization	Vertical			
Long term stability (8 hour)	2%	1% rms		

Wavelength (nm)	532nm			
Model Number	PS-532-4	PS-532-12	PS-532-25	PS-532-35
Average Power	4W	12W	25W	35W
Polarization	Horizontal			
Long term stability (8 hour)	2% rms			

Wavelength (nm)	355nm			
Model Number	PS-355-1	PS-355-5	PS-355-10	PS-355-25
Average Power	1 W	5W	10W	25W
Polarization	Horizontal			
Long term stability (8 hour)	3% rms			

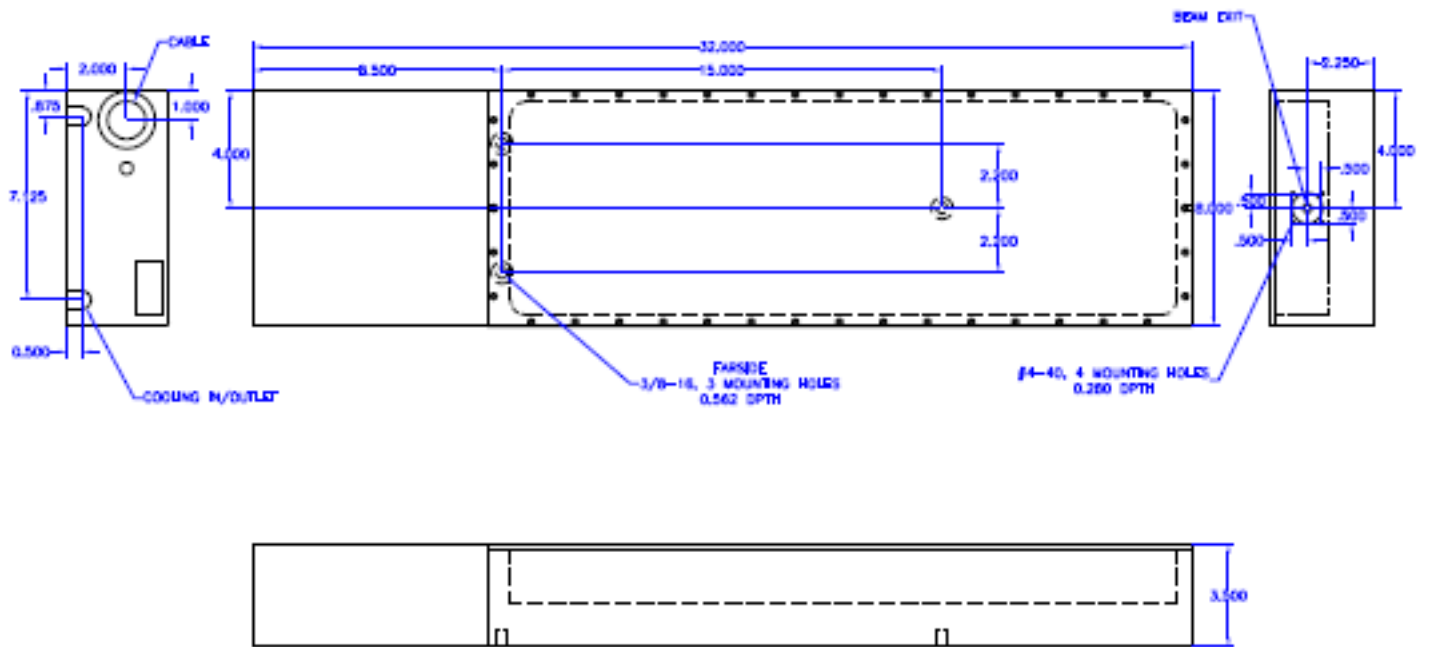
Wavelength (nm)	266nm		
Model Number	PS-266-0.2	PS-266-1	PS-266-3
Average Power	200 mW	1W	3W
Polarization	Vertical		
Long term stability (8 hour)	5% rms		

Repetition rate	~80Mhz		
Pulse width	20 to 25ps		
Spatial mode profile	TEM00		
M2	<1.3 (typical <1.2)		<1.5
Output Beam Diameter	1.5mm (Nominal)		
Beam divergence	<2 mrad		
Beam Ellipticity	<10%		
Beam Point Instability	<50 urad		
Ambient Temperature	15 to 30 °C (59 to 86 °F) Operating Range		
Relative Humidity	Non condensing, 90% Max		
Laser Head Dimensions* (LxWxH)	32" x 8" x 3.5"		32" x 10" x 3.5"
Power Supply Dimensions (LxWxH)	13.5" x 19" x 5.25"		
Cooling	Closed Loop Chiller		
Umbilical	3 meters		

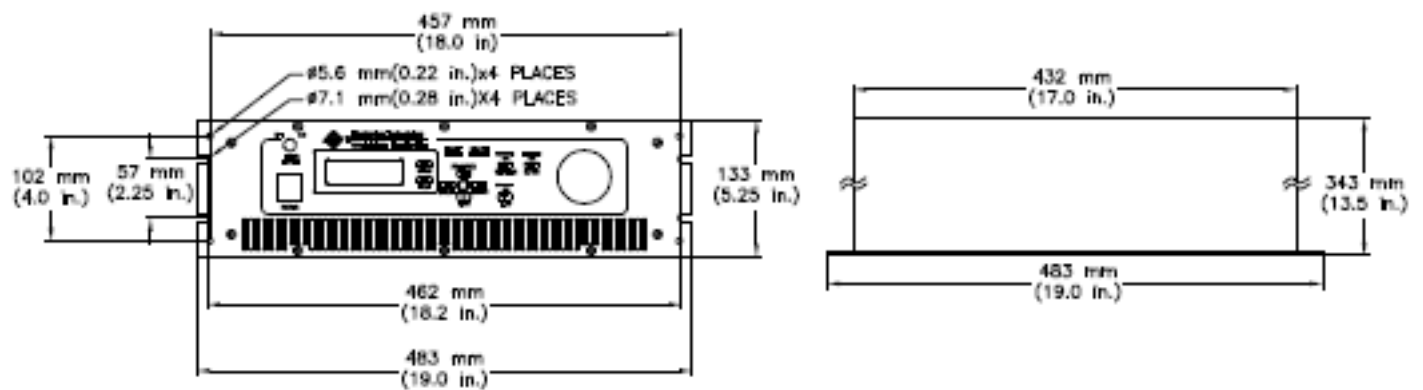
* For 4th harmonic dimensions, please contact the factory.

Dimensional Drawings

Laser Head



Controller





Photronics Industries
International, Inc.

The Pioneer of Intra-Cavity Solid-State Harmonic Lasers

US Main Office

390 Central Ave, Bohemia, NY,
11716
Phone: 631-218-2240
Fax: 631-218-2275
E-Mail: info@photonix.com
Website: www.Photonix.com

Japan Office

Rokusan Bldg. 9F, Funamachi 7
Shinjuku-ku, Tokyo 160-0006, Japan
Tel: [81] 03-6423-1805
Fax: [81] 03-6423-1806
Email: kseita@photonix.co.jp

Korea Office

703 Sogong Bldg, 352-5 Gugal-Dong
Giheung-gu, Yongin City
Gyeonggi-Do, 446-569 Korea
Tel: +82-31-284-9520
Fax: +82-31-284-9521
Contact: Sang-Moon Kim
Email: kimsm@photonix.com

China Office

Room 1401, B8
No 208 XingHai Street, Suzhou Industrial
Park
Suzhou 215021, P. R. China
Tel: 86-512-6763 5761
Fax: 86-512-6763 5762
Email: china@photonix.com
Website: <http://www.photonix.com.cn/>

脉动科技有限公司

中国代理商

北京总部 地址: 海淀区中关村东路89号 恒兴大厦9C, 100190 电话: 010-62565117 010-84413925 传真: 010-62565117-11 邮箱: info@pulsepower.cn 官网: www.pulsepower.cn
上海办事处 021-32070812 西安办事处 029-87307077 深圳办事处 0755-27528760

In order to continuously improve our product catalog, we reserve the right to change all specification with out prior notice. Please contact the factory for the most recent specifications.



Photronics Industries conforms to provisions of US 21 CFR 1040.10 & 1040.11 and is made under one or more US patents listed below:
7,346,092; 7,082,149; 7,079,557; 6,999,483; 6,980,574; 6,961,355; 6,842,293; 6,762,405; 6,690,692; 6,587,487; 6,584,487; 6,366,596;
6,327,281; 6,356,578; 6,246,707; 6,229,839; 6,108,356; 6,061,370; 6,028,620; 5,936,938; 5,898,717 and Pending Patents

Copyright © 2009 by Photronics Industries International, Inc.

