

RGH-1064-5 & RGH-1064-20

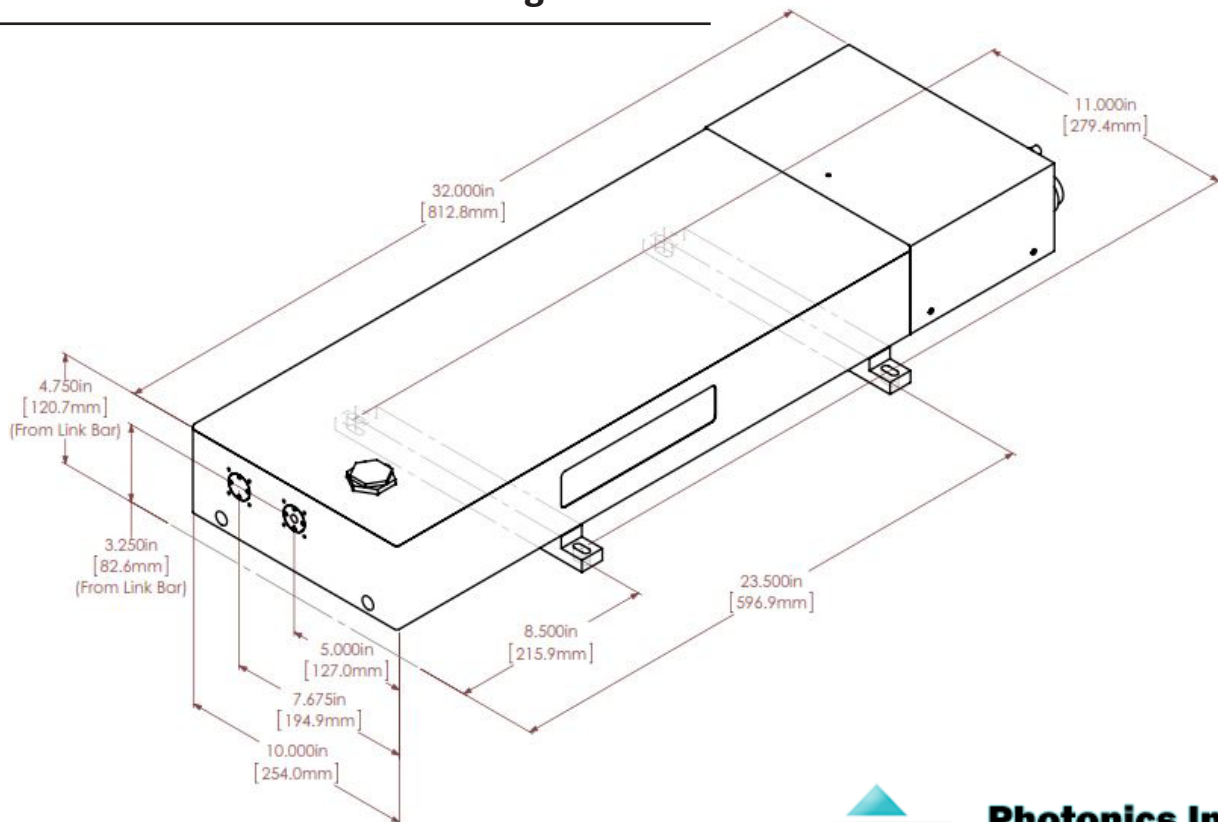
High Power and High Repetition Rate Picosecond Lasers

Features

- Variable Repetition Rate: 200 kHz to 2 MHz
- Pulse Width <15 ps
- Compact Industrial Grade Picosecond Laser
- Burst Mode
- Total Pulse Control
- Excellent Beam Quality (M2 Typically <1.3)
- Exceptional Beam Pointing Stability
- Wide Range of Powers and Harmonic Options
- Low Maintenance



Laser Head Dimensional Drawing



RGH Infrared Specifications

Wavelength	1064 nm	
Model Number	RGH-1064-5	RGH-1064-20
Average Power @ 1000 kHz	>5 W	>20 W
Repetition Rate*	200 kHz to 1 MHz, Option to 2 MHz	
M ²	<1.3 †	
Polarization	Vertical	
Pulse Width	< 15 ps ¹	
Spatial Mode Profile	TEM00	
Long Term Instability (8h ±3°C)	< ±2% rms	
Pulse to Pulse Stability @ 1 MHz	<2% rms	
4σ Beam Diameter @ exit	2 mm (nominal)	
Beam Divergence (full angle far field)	<2 mrad	
Beam Ellipticity	<15 %	
Beam Point Instability	<25 urad/°C	
Boresight Accuracy	± 0.5 mm and <5 mrad	
Ambient Temperature	15 to 30 °C (50 to 86 °F) Operating Range	
Relative Humidity	Non-condensing, 90% Max	
Cooling	Closed Loop Chiller	
Electrical Requirement	50 to 60 Hz or 100 to 120 V or 200 to 240 V	
Weight	Laser Head	~ 74 lbs (~ 33.5 kg)
	Power Supply	~ 17 lbs (~ 7.7 kg)
Laser Head Dimensions (Fundamental)	10 in x 4.1 in ² x 32 in	
Power Supply Dimensions	19 in x 3.5 in x 14.75 in	

* Low rep rate performance achieved by selecting higher rep rate pulses with the AOM option

† M² value is specified from 100 kHz to 1 MHz

¹ 20 - 100 ps optional; <10 ps customized

² 4.1" includes height of desiccant but does not include height of removable feet

Options:

Wavelengths of 532 nm or 355 nm are available.

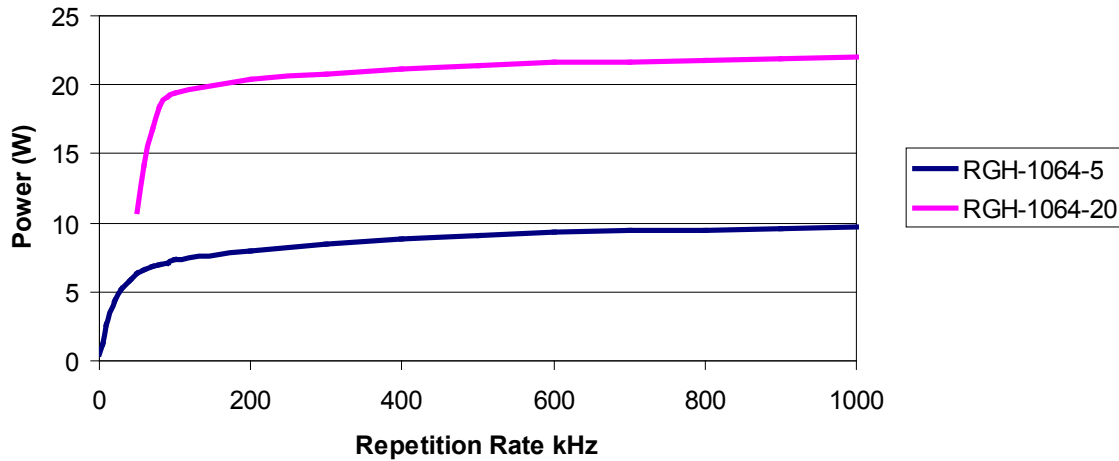
MWS = Multi-Wavelength Selectable Option (selectable wavelengths [e.g., 1064, 532 or 355 nm] from different output ports) - Extension required

Internal AOM for external gating, internal and external PEC (20% specified power reduction)

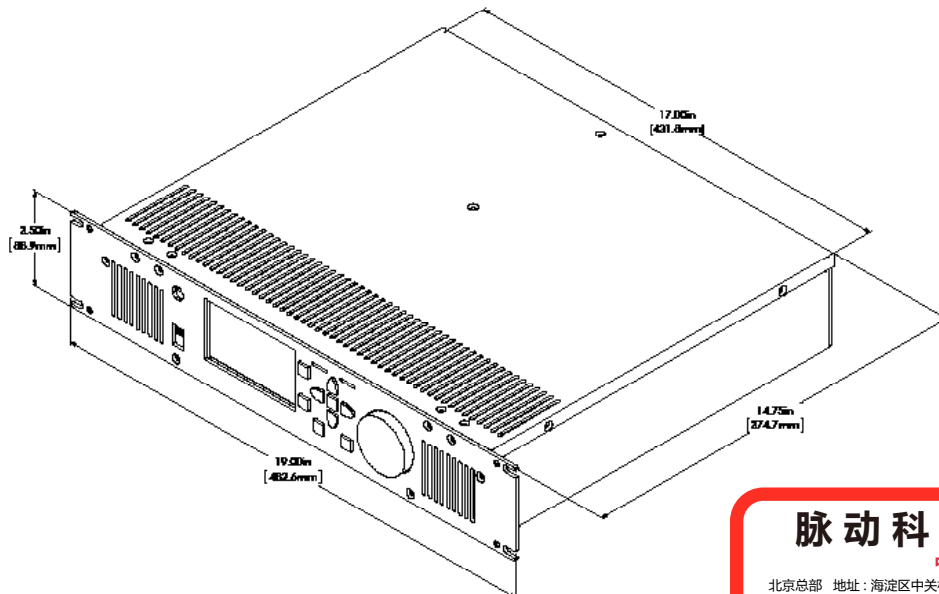
Please contact the factory for more information about these options.

Performance Curve

RGH-1064



RGH-1064 Controller



脉动科技有限公司

中国代理商

北京总部 地址: 海淀区中关村东路89号 恒兴大厦9C, 100190
 电话: 010-62565117 010-84413925
 传真: 010-62565117 邮箱: info@pulsepower.cn
 官网: www.pulsepower.cn

上海办事处 021-32070812
 西安办事处 029-87307077
 深圳办事处 0755-27528760



US Main Office

390 Central Ave,
 Bohemia, NY, 11716
 Phone: 631-218-2240
 Fax: 631-218-2275
 E-Mail: info@photonix.com
 Website: www.Photonix.com

Taiwan Office

18F-3, No.77, Sec.1, Xintai 5th Rd.
 Xizhi Dist., New Taipei City 221, Taiwan
 Tel: 886-2-26983620
 Fax: 886-2-26983620
 Contact: Brett Chiang
 E-mail: bchiang@photonix.com

Japan Office

Rokusan Bldg. 9F, Funamachi 7
 Shinjuku-ku, Tokyo 160-0006, Japan
 Tel: +81 03-6423-1805
 Fax: +81 03-6423-1806
 Email: kseita@photonix.co.jp

Korea Office

703 Sogong Bldg, 352-5 Gugal-Dong
 Giheung-gu, Yongin City
 Gyeonggi-Do, 446-569 Korea
 Tel: +82-31-284-9520
 Fax: +82-31-284-9521
 Contact: Sang-Moon Kim
 Email: kimsm@photonix.com

China Office

Room 1401, B8
 208 XingHai Street, Suzhou Industrial Park
 Suzhou 215021, P. R. China
 Tel: +86-512-6763 5761
 Fax: +86-512-6763 5762
 Email: china@photonix.com
 Website: http://www.photonix.com.cn/

Due to Photonics Industries' commitment to continuous product improvement, specifications and drawings are subject to change without notice.

Photonics Industries conforms to provisions of US 21 CFR 1040.10 & 1040.11 and is made under one or more US patents listed below:
 7,346,092; 7,082,149; 7,079,557; 6,999,483; 6,980,574; 6,961,355; 6,842,293; 6,762,405; 6,690,692; 6,587,487; 6,584,487; 6,366,596;
 6,327,281; 6,356,578; 6,246,707; 6,229,839; 6,108,356; 6,061,370; 6,028,620; 5,936,938; 5,898,717 and Pending Patents

Copyright © 2013 by Photonics Industries International, Inc.

