

DC & DS Series

266nm Nd:YAG Deep-UV Lasers



Features

- 266nm Wavelength
- Compact, Rugged Design
- TEM₀₀ Beam with M² < 1.3
- Pulse Rates from Single Shot to 30 kHz
- RS232 Computer Control
- External TTL Triggering
- Low Power Air-Cooled
- High Power Closed Loop Chiller

Optional Features

- Pulse Energy Control to Vary Output from 10% to 98%
- Beam Expander from 2 mm up to 10 mm
- Output Power Monitor

Applications

- LCD Repair
- Wafer Marking
- Lidar
- Solar Cell Scribing/ Production
- Stereo lithography–Rapid Prototyping
- Mass Spectrometer
- MALDI-TOF
- Semiconductor Processing
- Interferometry
- Non-Contact Inspection
- Fluorescence
- Holography Micro-Marking
- Laser Marking, Scribing
- Via Hole Drilling
- Laser Singulation
- OPO, Ti: Sapphire Pumping
- High Speed PIV
- Laser Micromachining
- Rapid Prototype-Stereo Lithography
- Fiber Bragg Grating Manufacturing



266nm System Specifications

DC Series - 100mW to 400mW



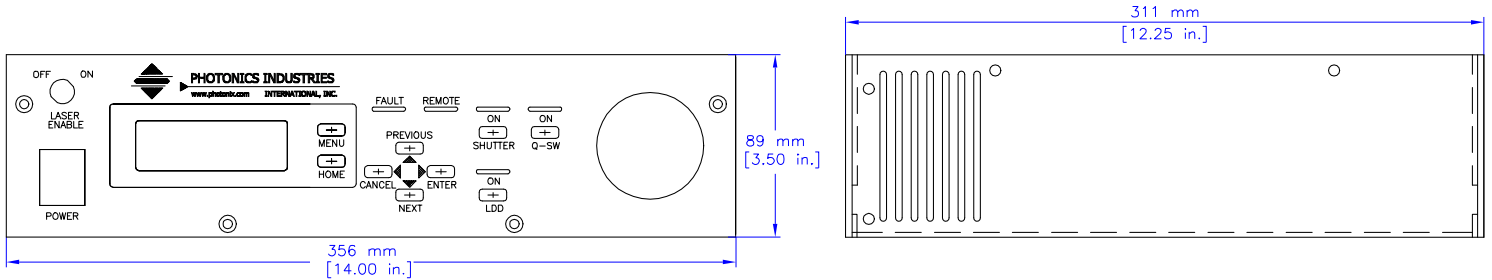
	DC-266-0.1	DC-266-0.4
Average Power @ 6 kHz	100 mW	400 mW
Pulse Width @ 6 kHz (nominal)	20 ns	20 ns
Pulse Energy @ 6 kHz	16.7 μ J	66 μ J
Beam Mode	TEM ₀₀	
Beam Diameter @ exit (nominal)	0.4mm	
Divergence	<2.5mRad	
Polarization Ratio	100:1 Horizontal	
Pulse-to-Pulse Instability	<4% rms	
Long-Term Instability (8h +/-3deg.C)	+/- 5%	
Pointing Stability	< 50 urad	
Pulse Repetition Rate	1 Hz to 30 kHz	
Laser Head (WxLxH)	102mm, 432mm, 114mm	
Controller Dimensions (WxLxH)	356mm, 311mm, 89mm	
Electrical Requirement	100 to 120V, 200 to 240 V @ 50/60 Hz	
Relative Humidity	Non condensing, 90% Max	
Ambient Temperature	15° to 35°C (59° to 95°F) Operating Range	
Umbilical Length	3 meter (10 feet)	

DS Series - 1.5W to 3W

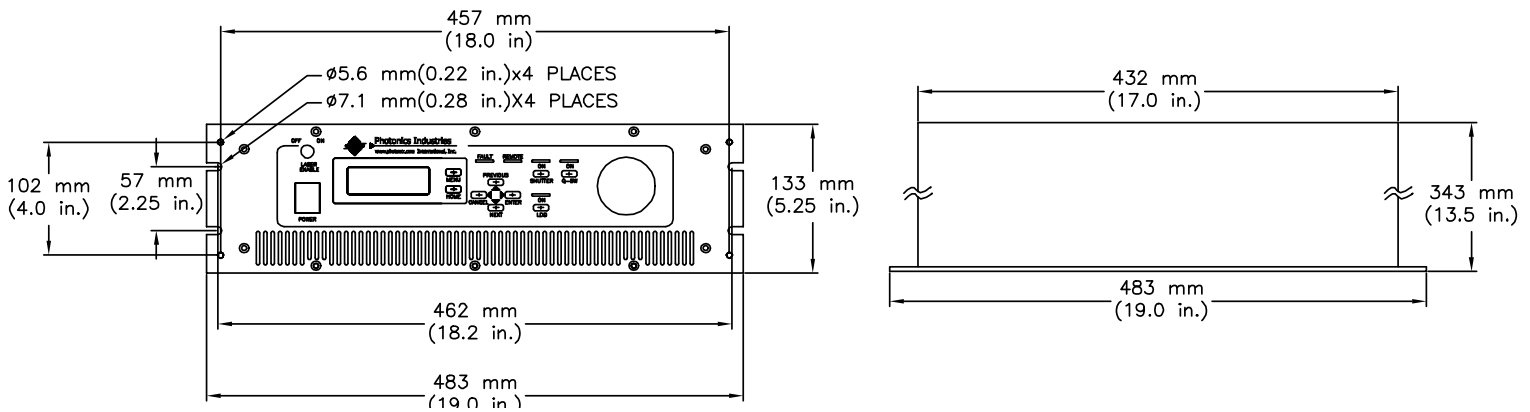
	DS-266-1.5	DS-266-3
Wavelength	266 nm	266 nm
Average Power @ 6 kHz	1.5 W	3 W
Pulse Width @ 6 kHz (nominal)	25 ns	20 ns
Pulse Energy @ 6 kHz	0.25 mJ	0.5 mJ
Beam Mode	TEM ₀₀ - M ² < 1.3	
Polarization Ratio	100:1 Horizontal	
Beam Diameter @ exit (nominal)	0.7 mm	
Beam Divergence	<1.2 mrad	
Pulse-to-Pulse Instability	<3% rms	
Long-Term Instability (8h +/-3deg.C)	+/- 10%	
Pointing Stability	< 25 μ rad	
Pulse Repetition Rate	Single shot to 20 kHz	
Laser Head (WxLxH)	203.2mm, 762mm, 152.4mm	
Controller Dimensions (WxLxH)	356mm, 311mm, 89mm	
Electrical Requirement	100 to 120V, 200 to 240 V @ 50/60 Hz	
Relative Humidity	Non condensing, 90% Max	
Ambient Temperature	15° to 35°C (59° to 95°F) Operating Range	
Umbilical Length	3 meter (10 feet)	

Dimensional Drawings

DC/DS Controller



High Power DS Controller



US Main Office

390 Central Ave, Bohemia, NY,
11716
Phone: 631-218-2240
Fax: 631-218-2275
E-Mail: info@photonix.com
Website: www.Photonix.com

脉动科技有限公司

中国代理商

北京总部 地址: 海淀区中关村东路89号 恒兴大厦9C, 100190
电话: 010-62565117 010-84413925
传真: 010-62565117 010-84413925
邮箱: info@pulsepower.cn
官网: www.pulsepower.cn

上海办事处 021-32070812
西安办事处 029-87307077
深圳办事处 0755-27528760



Japan Office

Rokusan Bldg. 9F, Funamachi 7
Shinjuku-ku, Tokyo 160-0006, Japan
Tel: [81] 03-6423-1805
Fax: [81] 03-6423-1806
Email: kseita@photonix.co.jp

Korea Office

703 Sogong Bldg, 352-5 Gugal-Dong
Giheung-gu, Yongin City
Gyeonggi-Do, 446-569 Korea
Tel: +82-31-284-9520
Fax: +82-31-284-9521
Contact: Sang-Moon Kim
Email: kimsm@photonix.com

China Office

Room 1401, B8
No 208 XingHai Street, Suzhou Industrial
Park
Suzhou 215021, P. R. China
Tel: 86-512-6763 5761
Fax: 86-512-6763 5762
Email: china@photonix.com
Website: <http://www.photonix.com.cn/>

Due to Photonics Industries' commitment to continuous product improvement, specifications and drawings are subject to change without notice.

Photonics Industries conforms to provisions of US 21 CFR 1040.10 & 1040.11 and is made under one or more US patents listed below:
7,346,092; 7,082,149; 7,079,557; 6,999,483; 6,980,574; 6,961,355; 6,842,293; 6,762,405; 6,690,692; 6,587,487; 6,584,487; 6,366,596;
6,327,281; 6,356,578; 6,246,707; 6,229,839; 6,108,356; 6,061,370; 6,028,620; 5,936,938; 5,898,717 and Pending Patents

Copyright © 2011 by Photonics Industries International, Inc.

