

## 2 Micron Single Frequency Fiber Laser Source

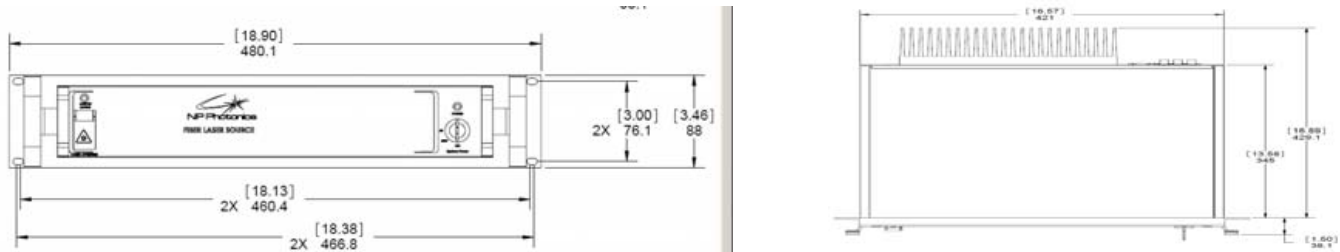


### Features

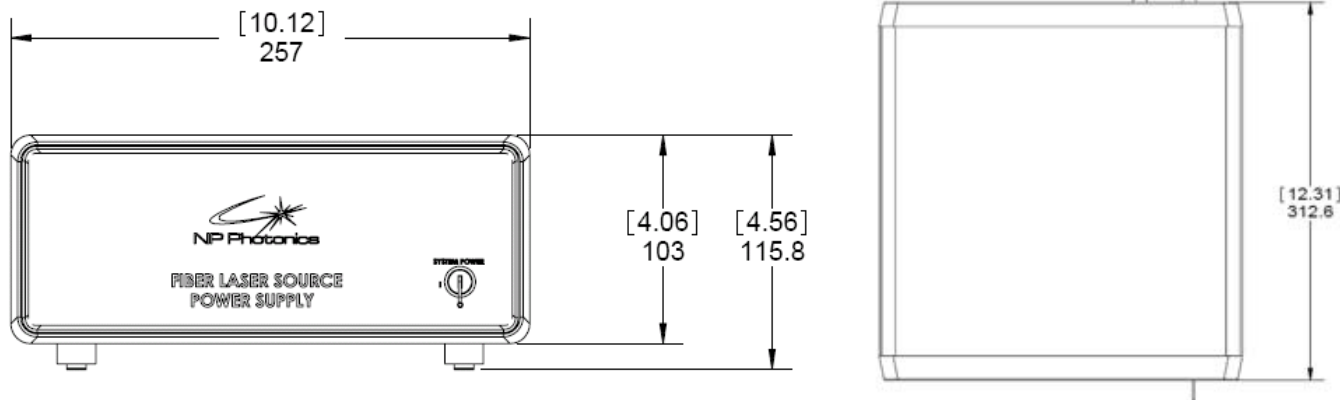
- Superior Noise Operation.
- Acoustically Isolated Packaging.
- Stable Operation Over Long Periods.
- Perfect for CO2 Detection Applications.

### Mechanical Outline:

#### Laser Head



#### Power Supply



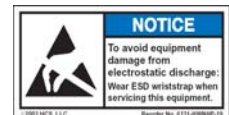
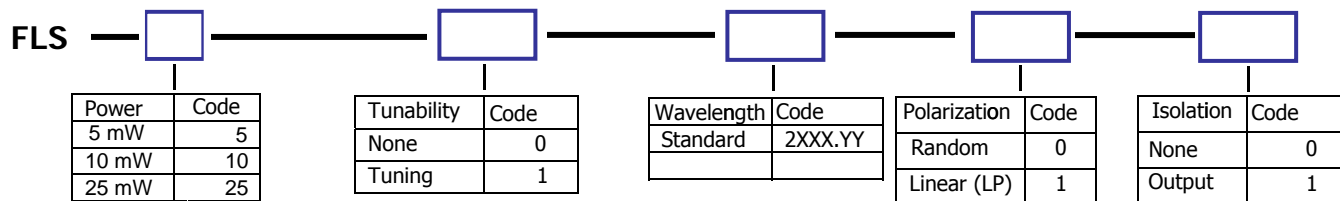
**Performance | Reliability | Innovation**

# PRODUCT SPECIFICATIONS

## Parameter

Wavelength Range	2050 nm (2030 nm – 2100 nm available on request)
Output Power	up to 25 mW (with no output isolation)
Longitudinal Mode	Single Frequency
Wavelength Set Resolution	50 MHz
Spectral Line Width (Heterodyne)	< 50 kHz
Frequency Stability (*)	< 50 MHz
Relative Intensity Noise (RIN) @ Peak ~ 1MHz	<-90dB/Hz
Relative Intensity Noise (RIN) > 50 MHz	Short Noise Limited
Polarization Extinction Ratio (PER)	> 17 B (optional)
Tuning Range	10 GHz (thermal)
Power Stability	± 5%
Connector	FC/APC Connector (panel mounted, narrow key)
Package Dimension	382 x 480 x 88 mm (Laser head)
(*) Over 1 hour with base temperature constant to within < 2° c after 30 min warm-up.	

Ordering Example: FLS-25-1-2XXX.YY-1-0 = 2um Fiber Laser System, 25 mW Output Power, With Tuning, at 2XXX.YY.XX nm, Linearly Polarized, No Isolation.



NP Photonics Fiber Laser Sources are protected by a 12-month warranty. All components and assemblies are unconditionally warranted to be free of defects in workmanship and materials for the warranty period, beginning from the date of shipment. This warranty is in lieu of all other warranties, expressed or implied, and does not cover incidental or consequential loss. This warranty does not apply to devices damaged due to operating conditions outside of the specified parameters. Modified warranties for OEM customers are available.



**NP Photonics, Inc.**

9030 S. Rita Road, Suite 120 - Tucson, AZ 85747 - USA

Phone: 520-799-7400 Fax: 520-799-7403

E-mail: info@np Photonics.com www.np Photonics.com

Specifications subject to change without notice 02-10 Rev.2