

# BeamOn X - E

Expanding your Profiling Capabilities

UPGRADED



- Industry's most cost-effective device.
- Minimum beam measurements down to 30 microns.
- Measures accurate position and profile.
- Maximum frame rate - over 50 Hz.
- Wide spectral range 350 - 1310 nm

## Specifications

Laser Type	CW & Pulsed
Beam width resolution	1 micron or better
Beam Size	∅30 μm - ∅4.5 mm
Spectral Response	350 - 1310 nm
Resolution (H x V pixels)	3096 x 2080
Sensor Active Area (mm)	7.4 (W) x 5 (H) Sensor can be divided into multiple active areas, working in parallel for up to 400 sectors (NEW)
Dynamic Range	60 dB
Exposure Speed	32 μsec - 2 sec
Frame Rate	50 fps - up to 450 fps @ fast mode (8 bit + ROI)
Sensor type	CMOS - 1/1.8" format
Beam width accuracy	±2%
Position resolution	1 μm
Pixel Size	2.4 μm x 2.4 μm
Pixel Bit Depth	8/14 bits

Sensitivity	~0.5 nW/cm <sup>2</sup> @ 633 nm ~15,000 nW/cm <sup>2</sup> @ 1310 nm (15 μW/cm <sup>2</sup> )
Saturation	~1 W/cm <sup>2</sup> , no filters
Power Measuring	With user's pre-calibration at a selected point
Damage Threshold	50 W/cm <sup>2</sup> with filters
Background Subtraction	Automatic
Trigger	• Internal Software
Power Requirements	~2 Watt (Via USB 3.0 interface)
Dimensions (L x W x H) in mm	∅63 mm x 51 mm deep
Weight (typical)	300 gr with cable
Min. Hardware Requirements	CPU i5 1.6 GHz, 4 GB RAM Min. Resolution 1366 x 766
Interface	USB 3.0, Windows 7/8/10 (32 & 64 bit)
Mechanical Interface	Post mounting: 8-32 UNC, 6 mm depth
Operating Temperature	0° - 35° C

## Ordering Information

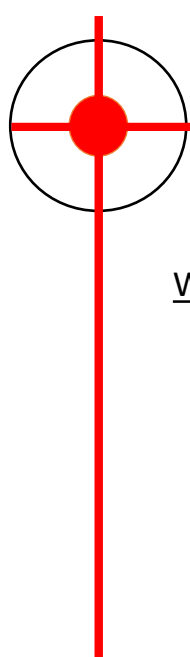
**Model BEAMON-X-E-FW:** Complete system with a camera, post, built-in filter wheel with a set of 3 filters (NG4,NG9,NG10) in housing, software on Flash Drive, carrying case.

**Model BEAMON-X-E:** Complete system with a camera, post, software on Flash Drive, carrying case.

DUMA OPTRONICS LTD.

Website: <http://www.dumaoptronics.com>

E-mail: [sales@duma.co.il](mailto:sales@duma.co.il)  
November 2022

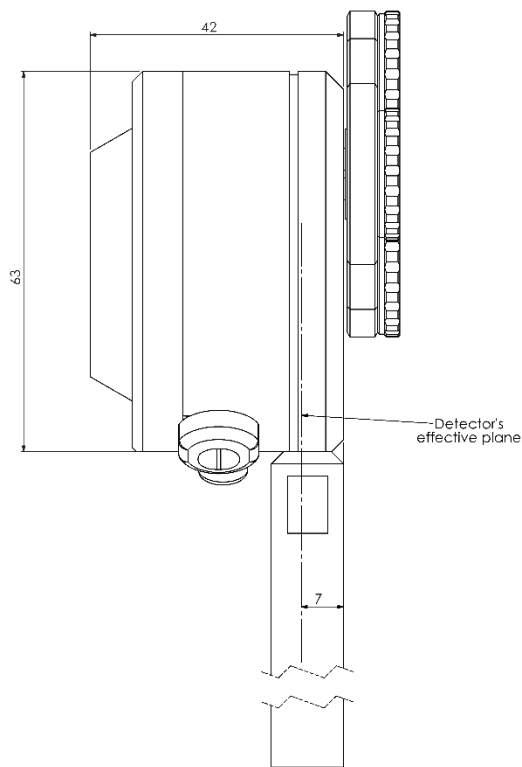
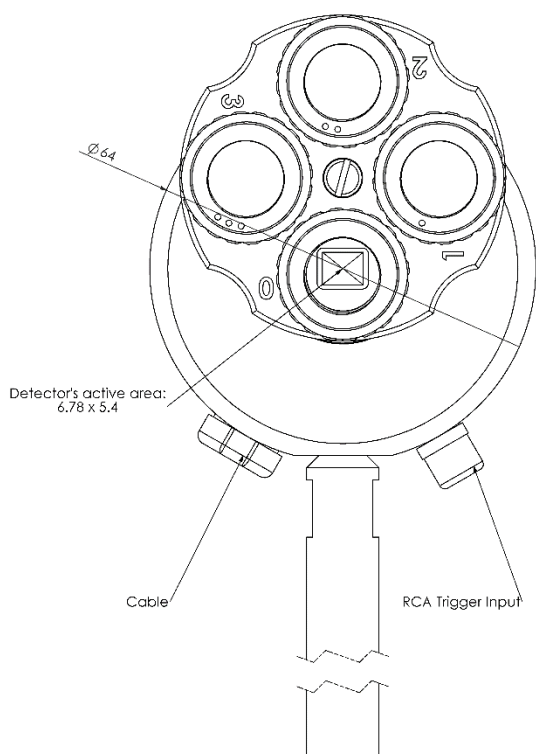


# BeamOn X - E

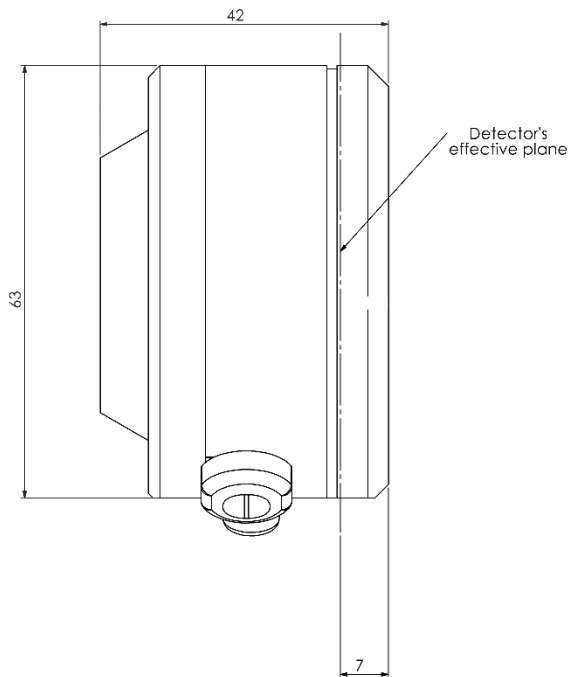
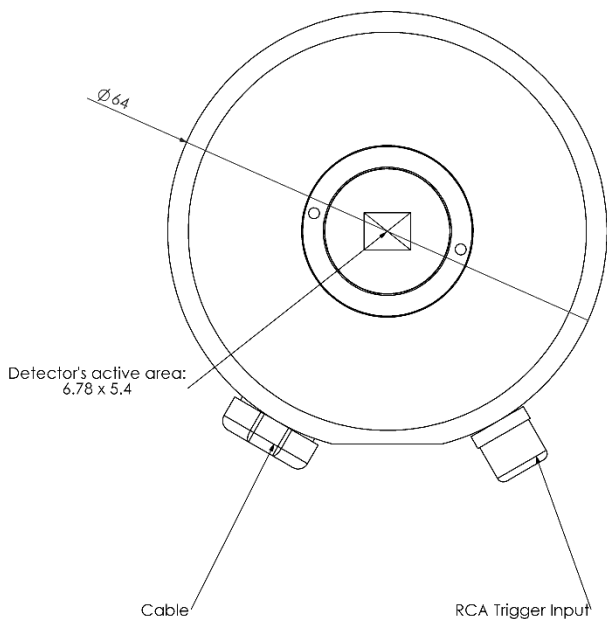
Expanding your Profiling Capabilities



## With Filter Wheel & Post



## Without Filter Wheel



# DUMA OPTRONICS LTD.

