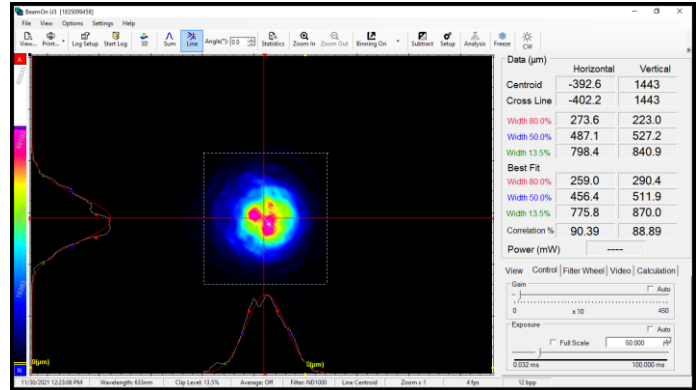


BeamOn HR 1"

Innovative 20 MP (13.2 x 8.8 mm) Beam Profiler with enhanced sensitivity at NIR, exceeding 1350 nm

Multiple active areas for multi beam analysis

Versatile – Measures **Profile, Power and Position**



Specifications

Laser Type	CW & Pulsed
Beam width resolution	1 micron or better
Max. Resolution (H x V pixels)	5496 x 3672
Beam Size	ø30 µm - ø8 mm
Spectral Response	350 – 1600 nm (VIS NIR)
Sensor Active Area (mm)	Diagonal 15.9 mm 13.2 x 8.8, sensor can be divided into multiple active areas, working in parallel for up to 400 sectors (NEW)
Gain Control	Up to 450
ADC Dynamic Range	16 bit
Shutter Speed	Shutter - 32 µsec to 2 sec

Min. Pixel Size	2.4 µm x 2.4 µm
Exposure Control	Programmable via GUI
Accessories	-IR Edge Filter -C-Mount Filter
Power Supply	~10 Watt , 5V 3A
Housing Size in mm	ø62 (see drawing)
Weight (typical)	300 gr.
Min. Hardware Requirements	CPU i3 1.6 GHz, 4 GB RAM
Interface – USB 3.0	Windows 8/10/11
Mechanical Interface	Post mounting: M4 Optical attachments & filters: C-mount

Wavelength	633	980	1310
Saturation	20 µW/mm ²	100 µW/mm ²	0.2 W/mm ²
Sensitivity	Better than 1 nanoW/mm ²	Better than 1 nanoW/mm ²	20 µW/mm ²

Ordering Information

BEAMON-1": The system consists of a camera, cable, mounting post, carrying case, ND1000 Filter, software on a CD/Flash Drive.

DUMA OPTRONICS LTD.

Website: <http://www.dumaoptronics.com>

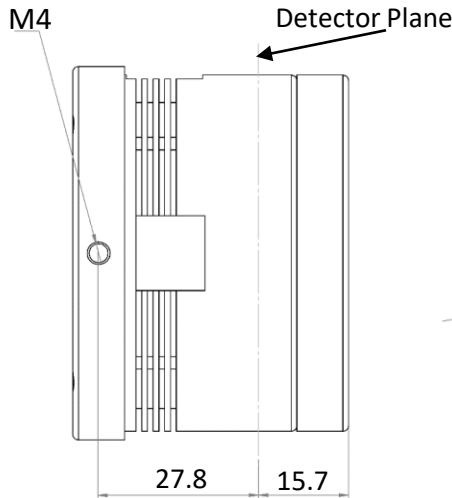
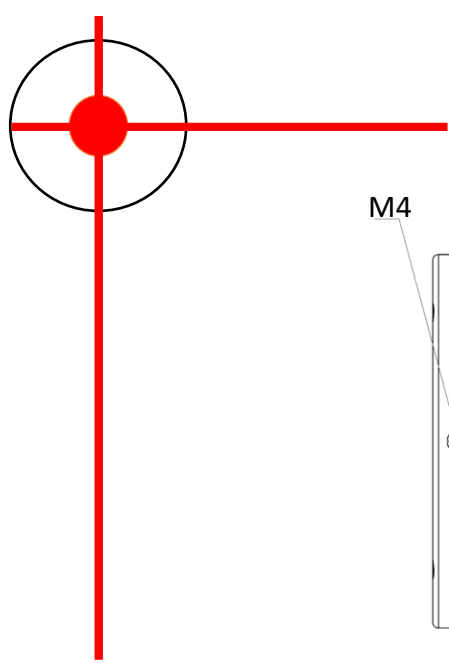
E-mail: sales@duma.co.il

May 2022

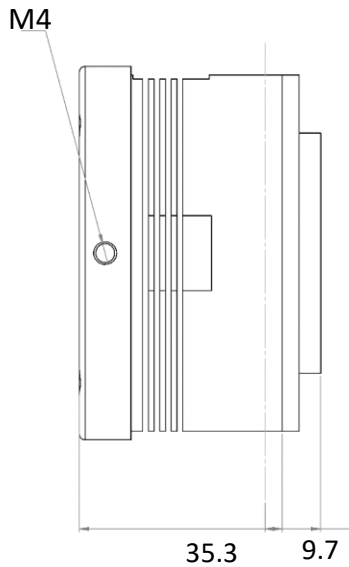
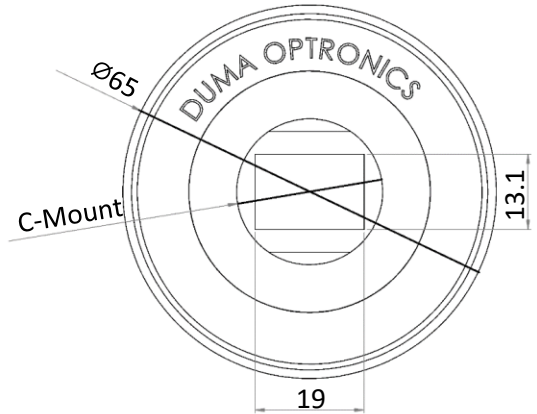


BeamOn HR 1"

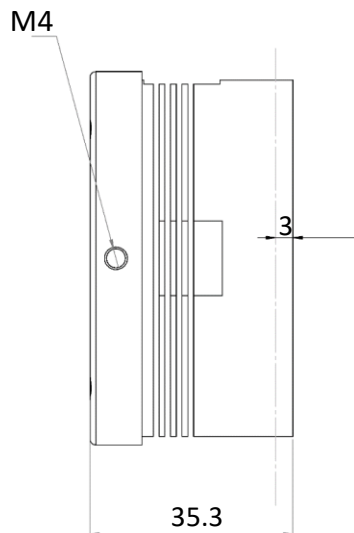
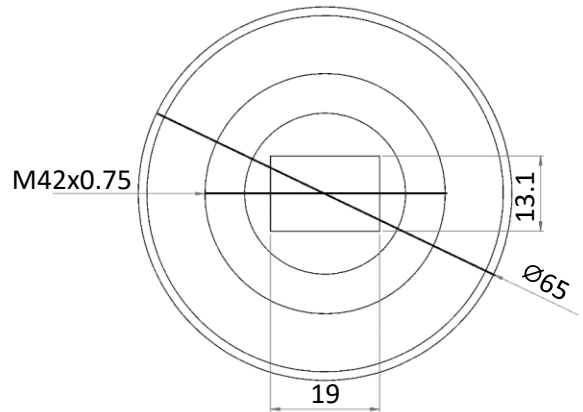
With Built-In Accessories



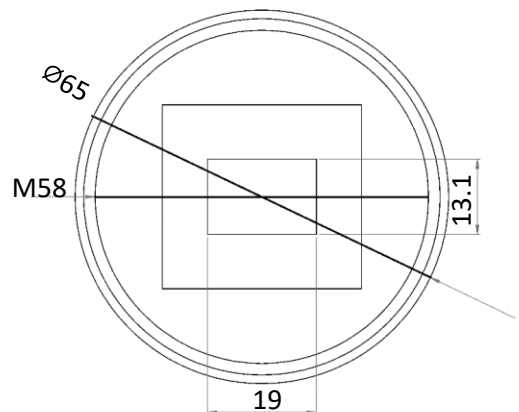
Standard C-Mount
Assembled Camera



42 mm Mounted Cover



Exposed Detector



Dimensions are in mm.

Ordering Information

BEAMON-1": The system consists of a camera, cable, mounting post, carrying case, ND1000 Filter, software on a CD/Flash Drive.

DUMA OPTRONICS LTD.

Website: <http://www.dumaoptronics.com>

E-mail: sales@duma.co.il

October 2022

